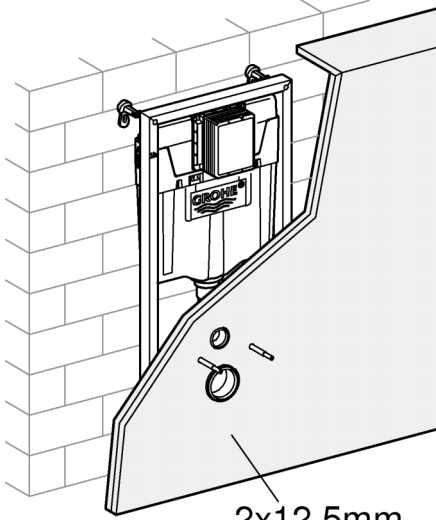


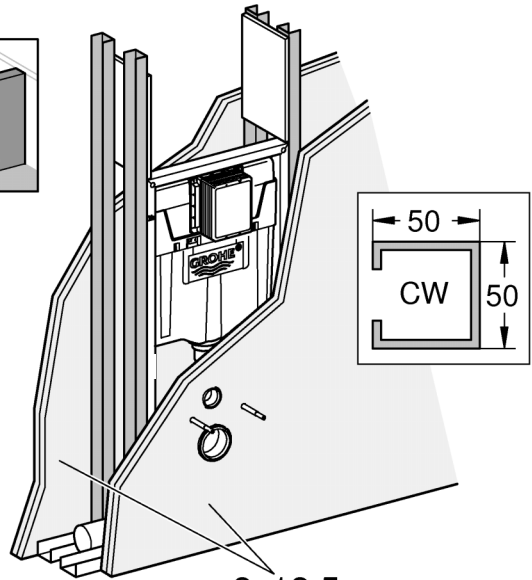
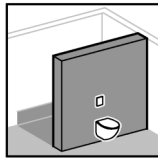


2 - 4



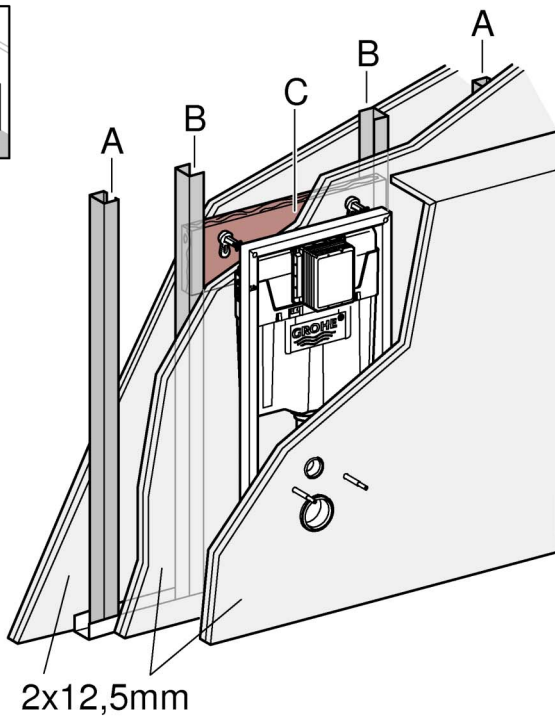
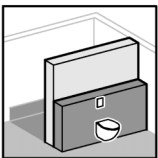
2x12,5mm

5 - 6



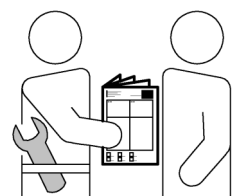
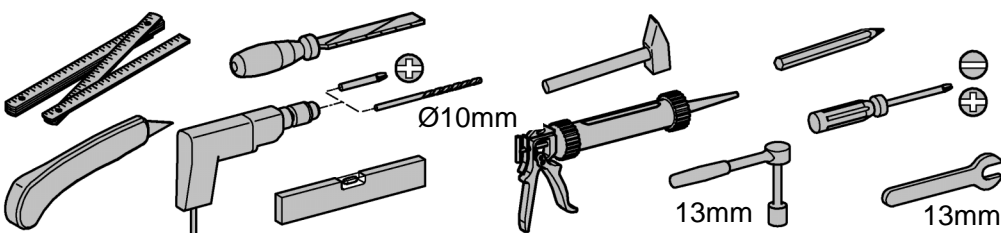
2x12,5mm

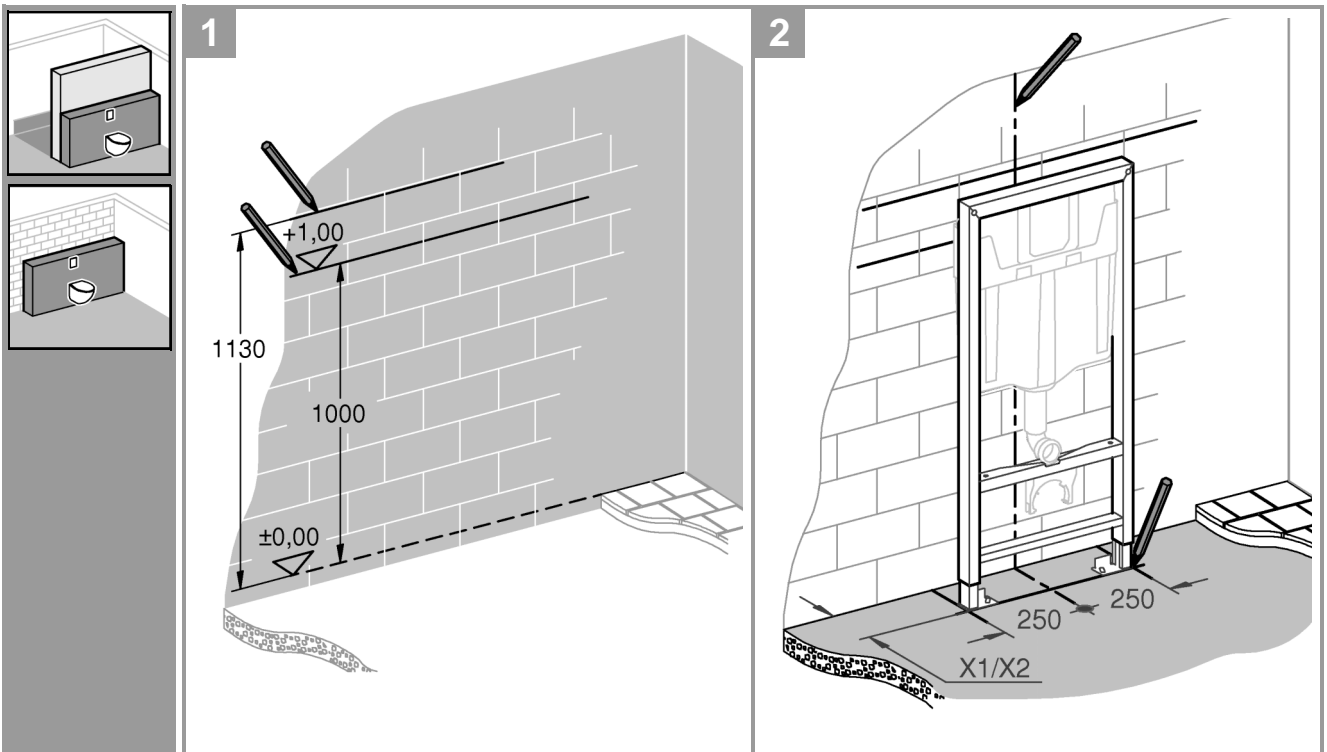
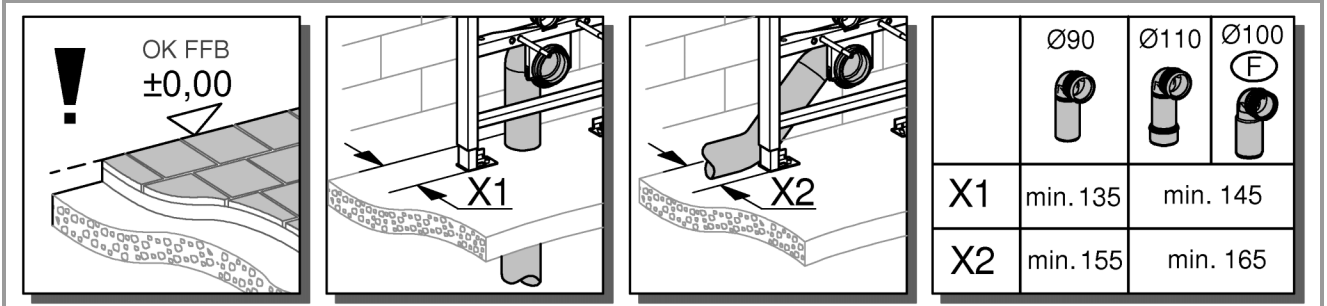
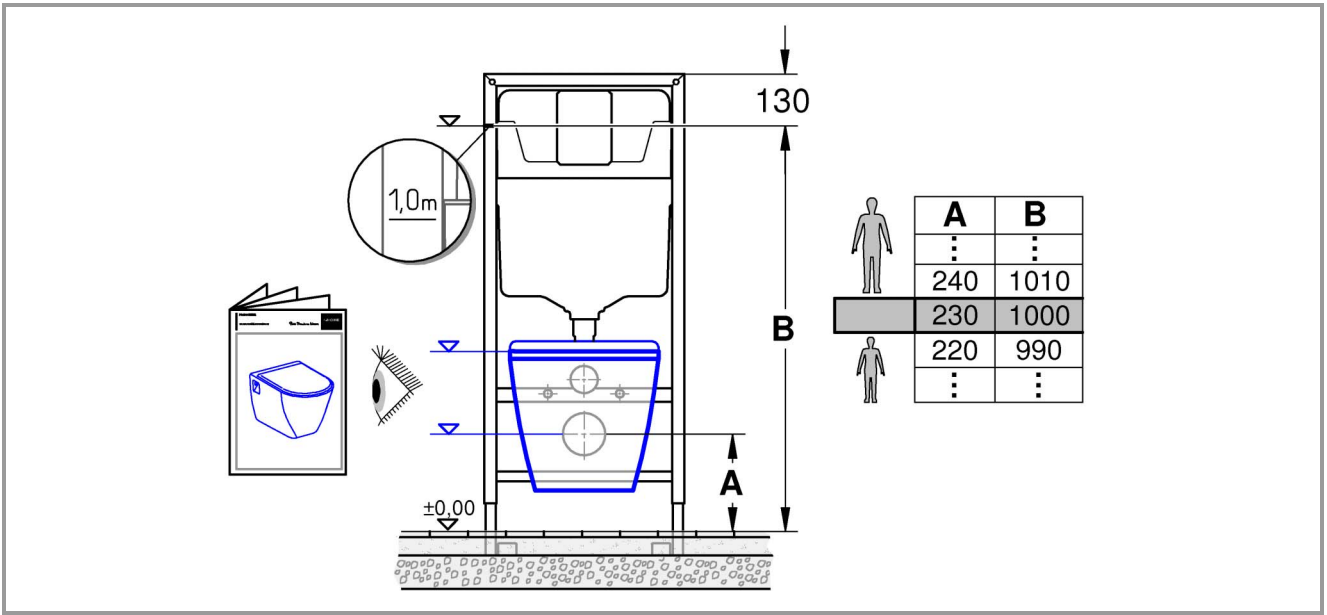
2 - 4

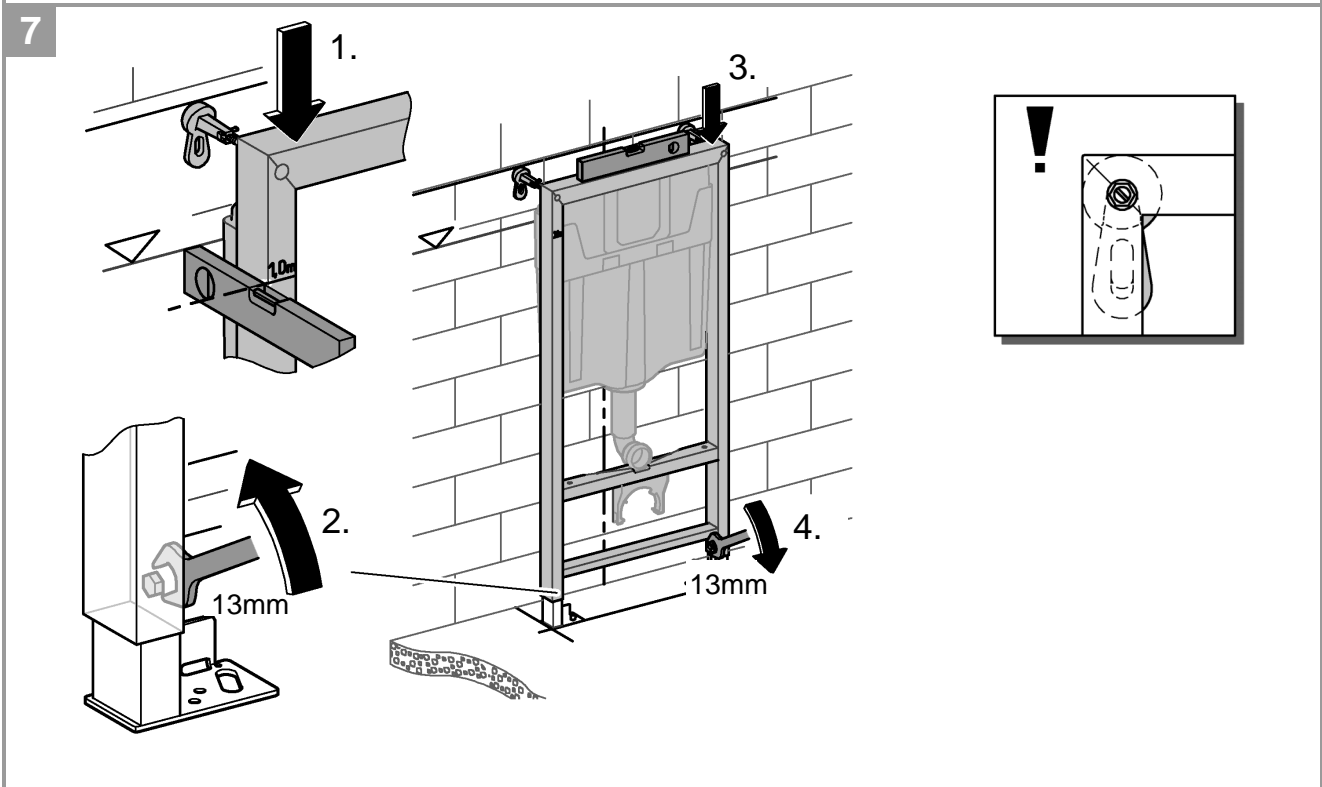
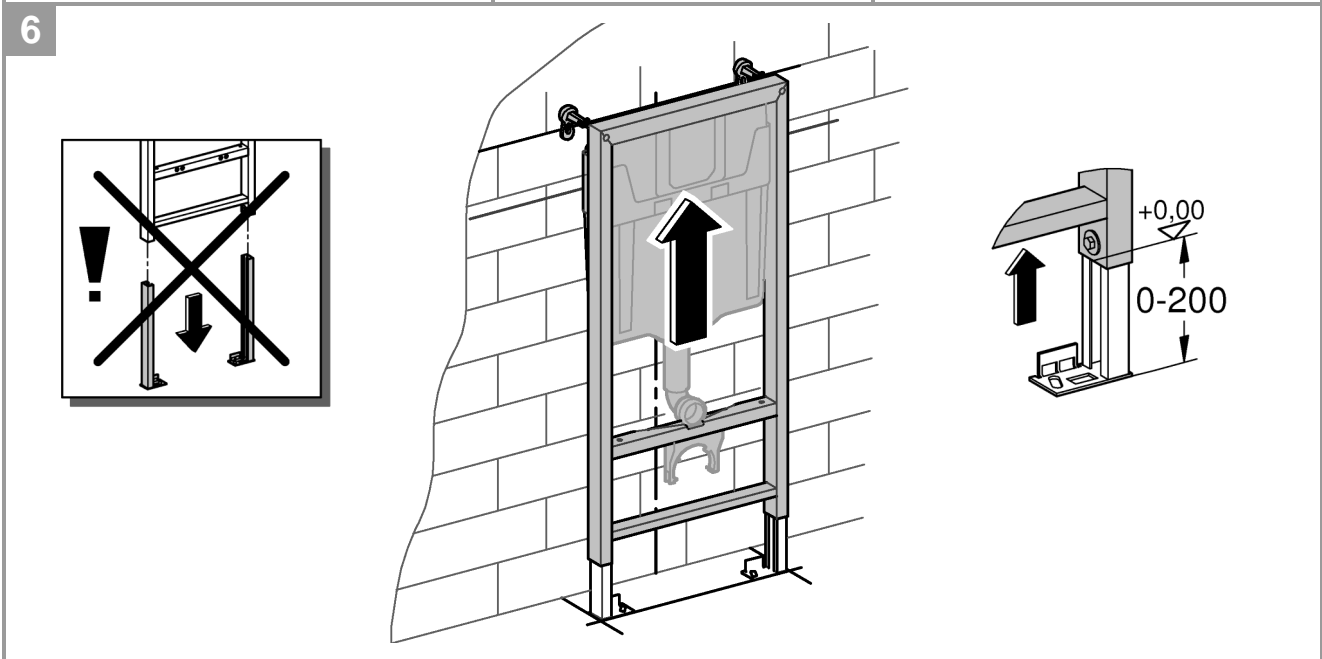
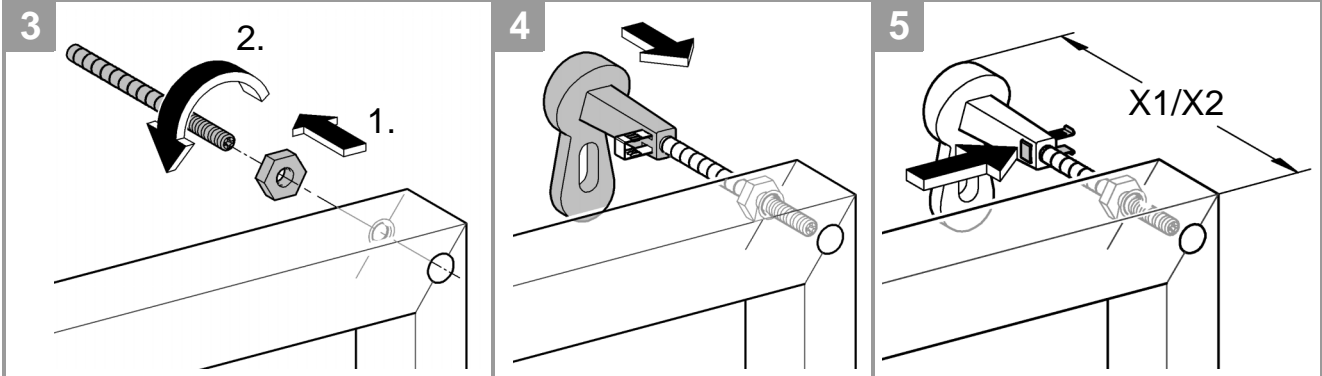


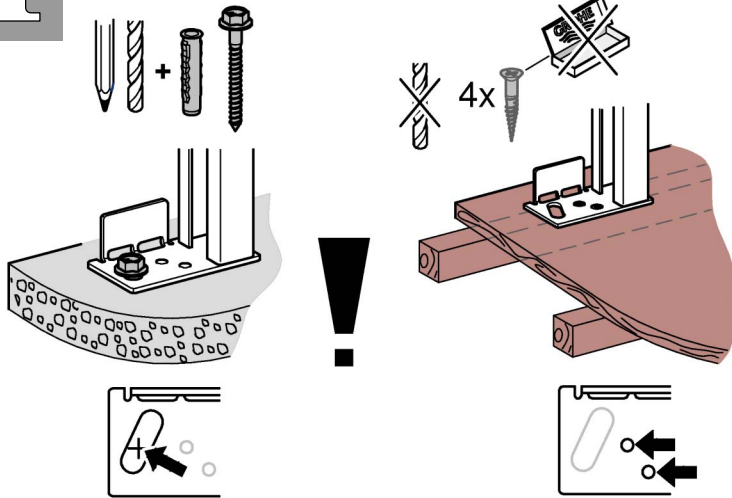
2x12,5mm

A	B	C
50x50x0,6	50x40x2	300x620x24
75x50x0,6	75x40x2	

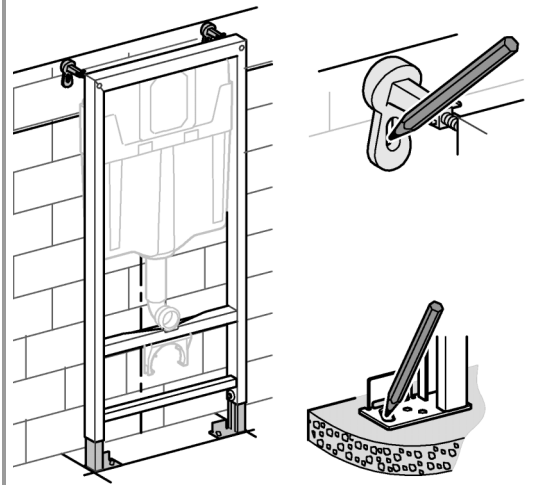




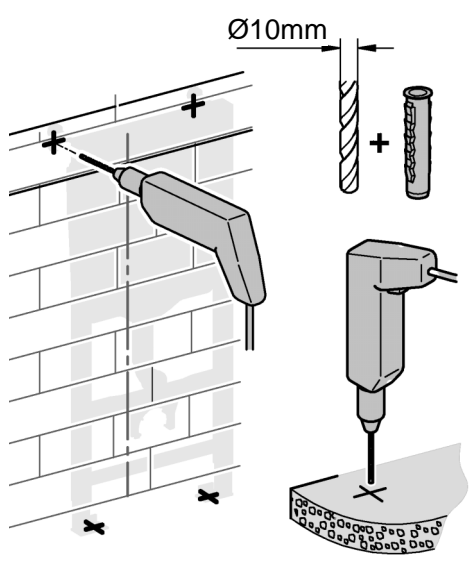




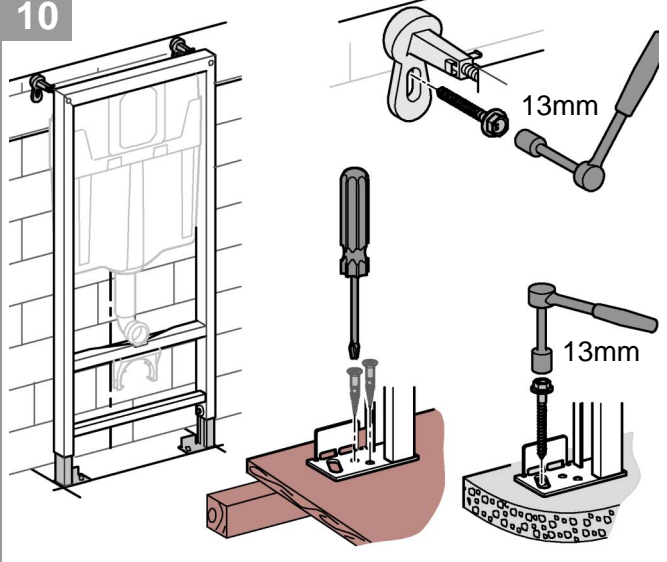
8



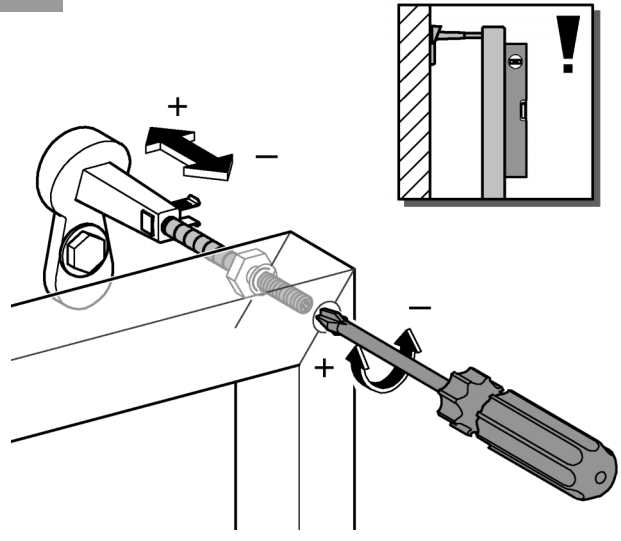
9



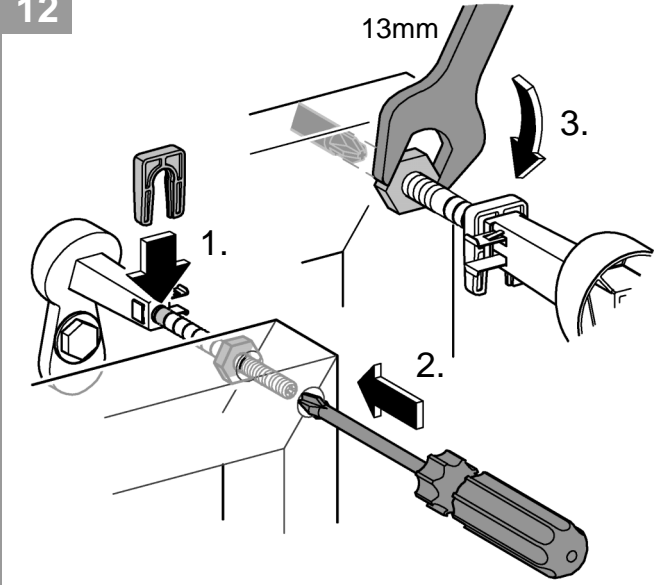
10

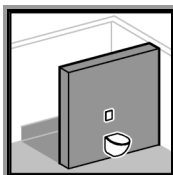


11

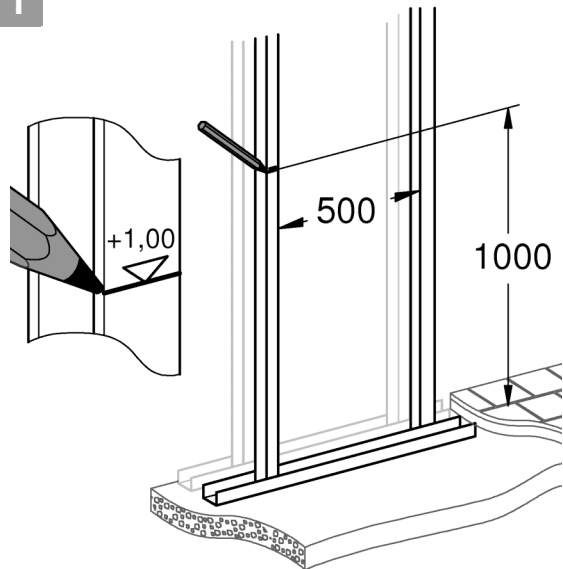


12

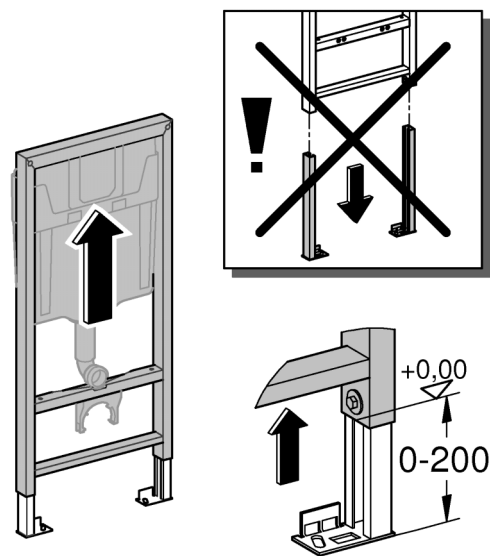




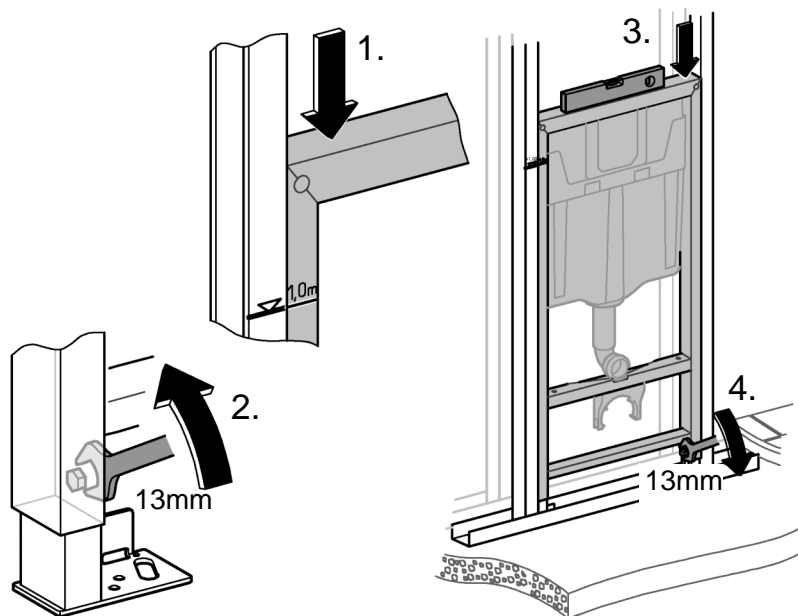
1



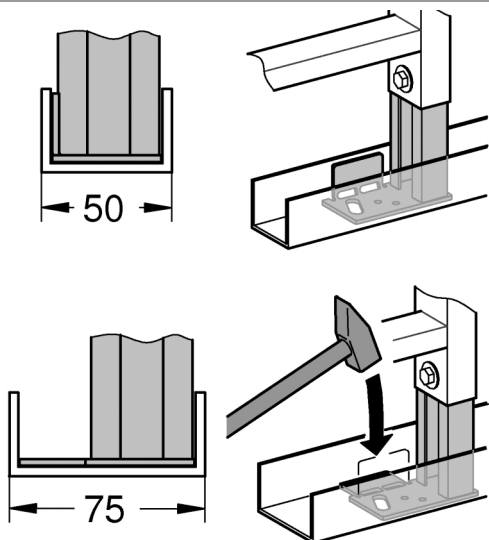
2



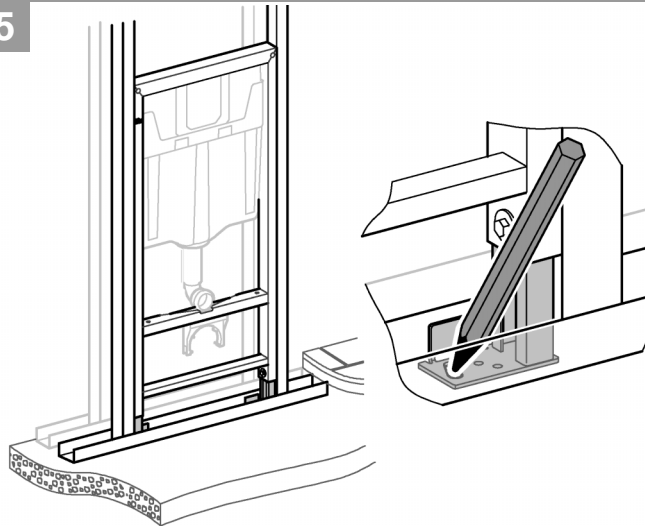
3



4

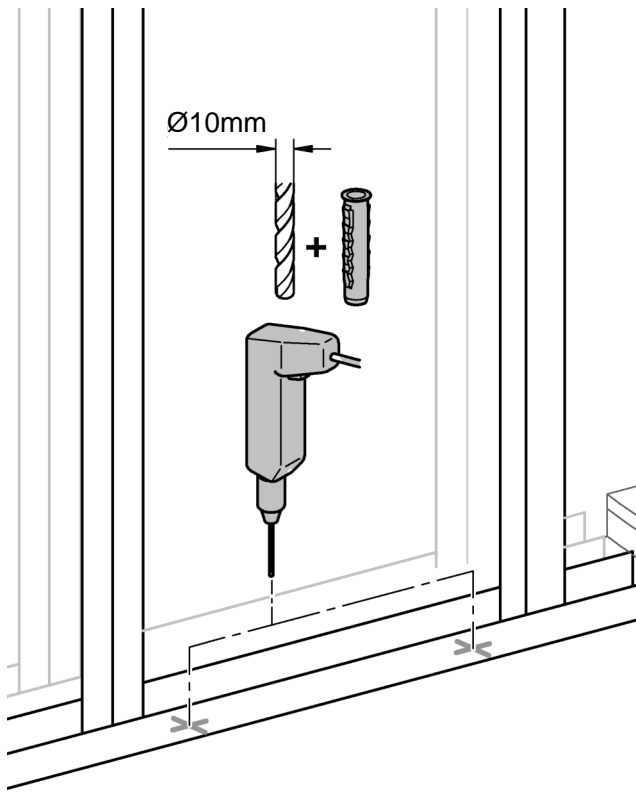


5

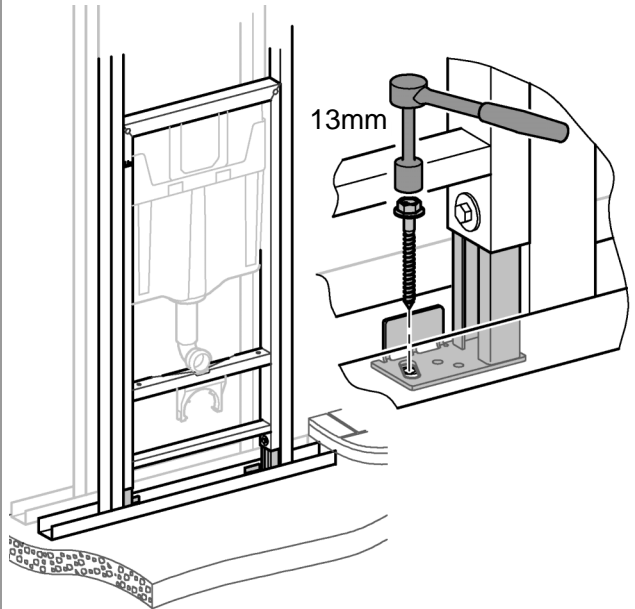




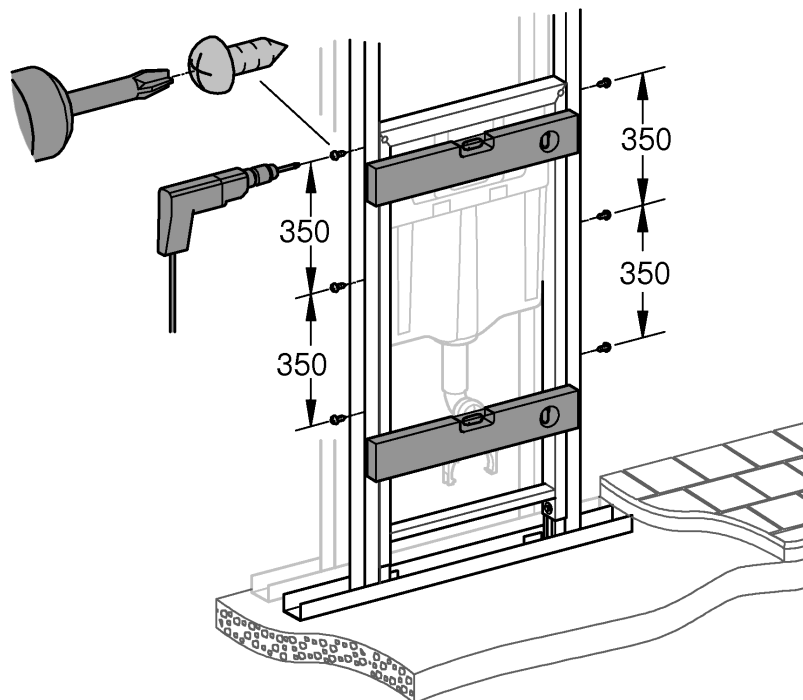
6

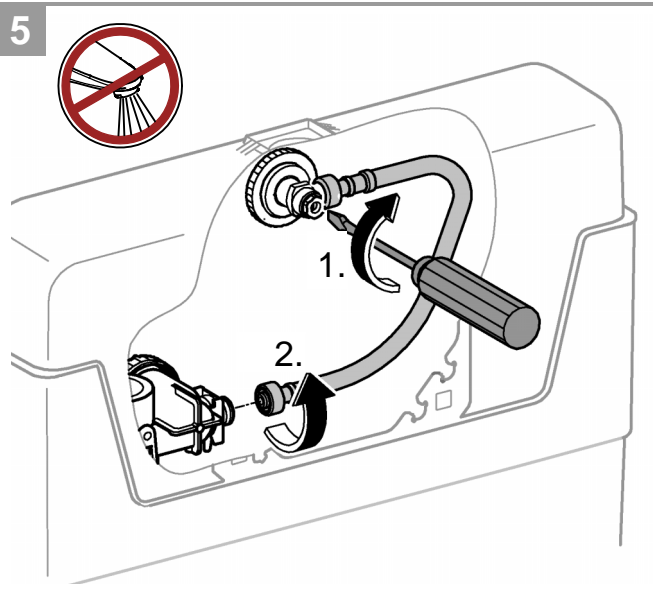
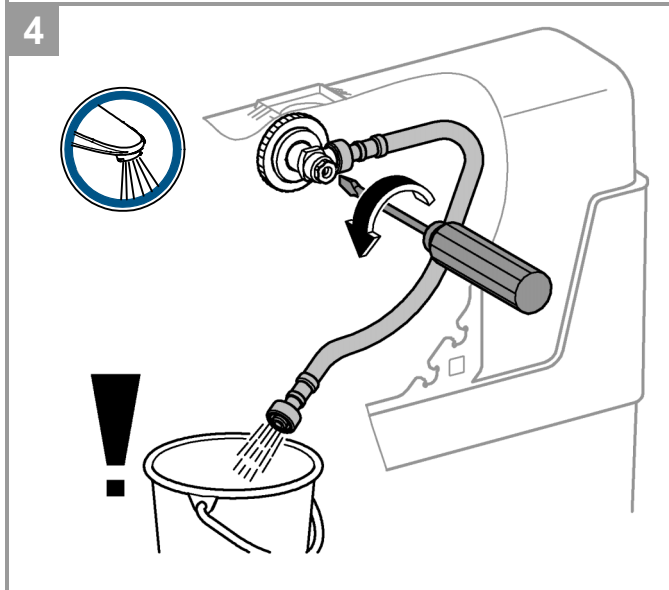
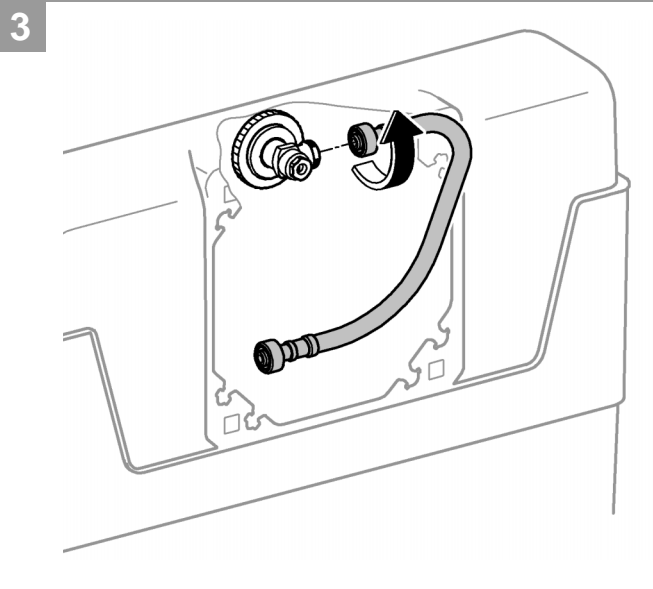
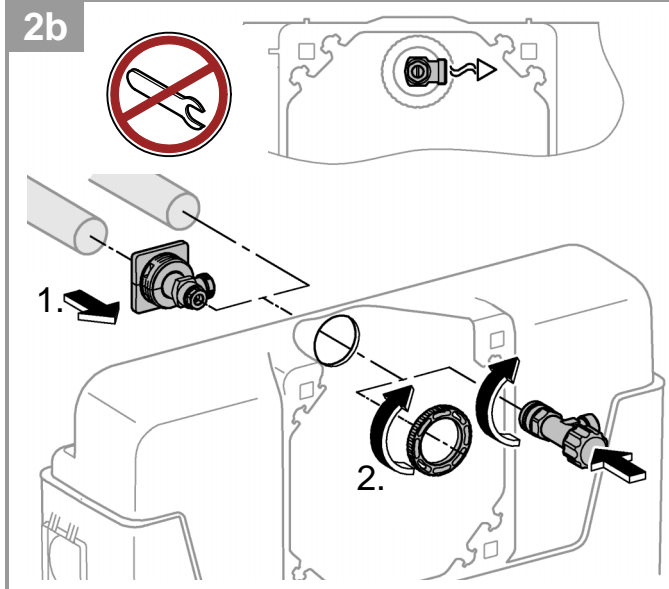
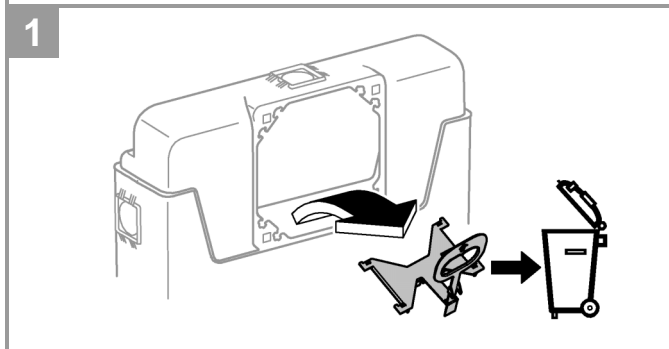
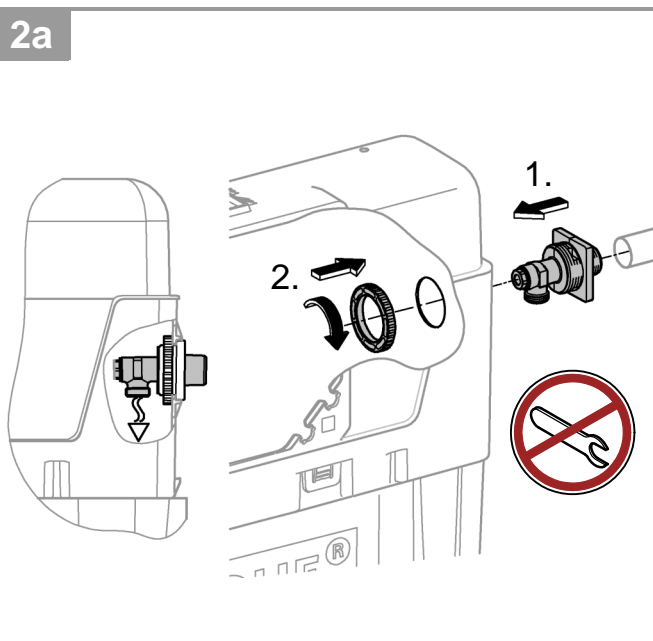
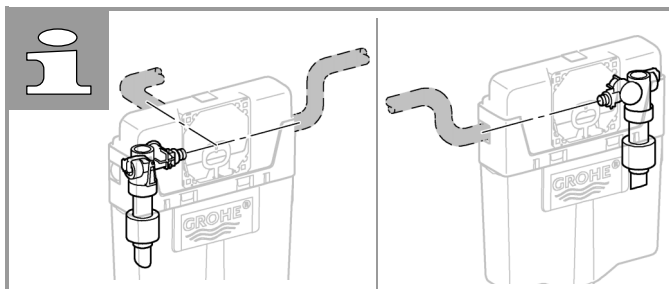


7

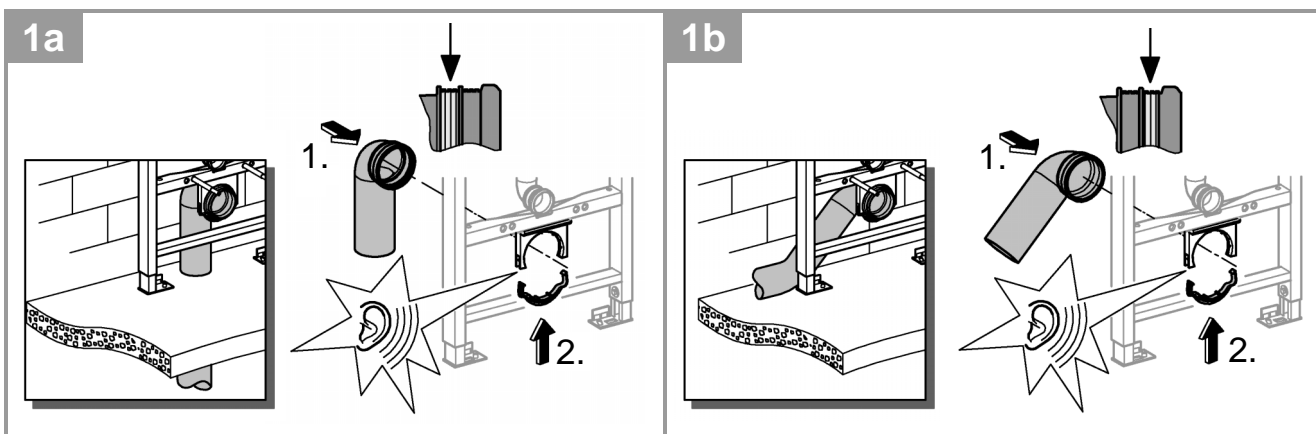
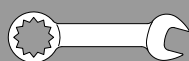
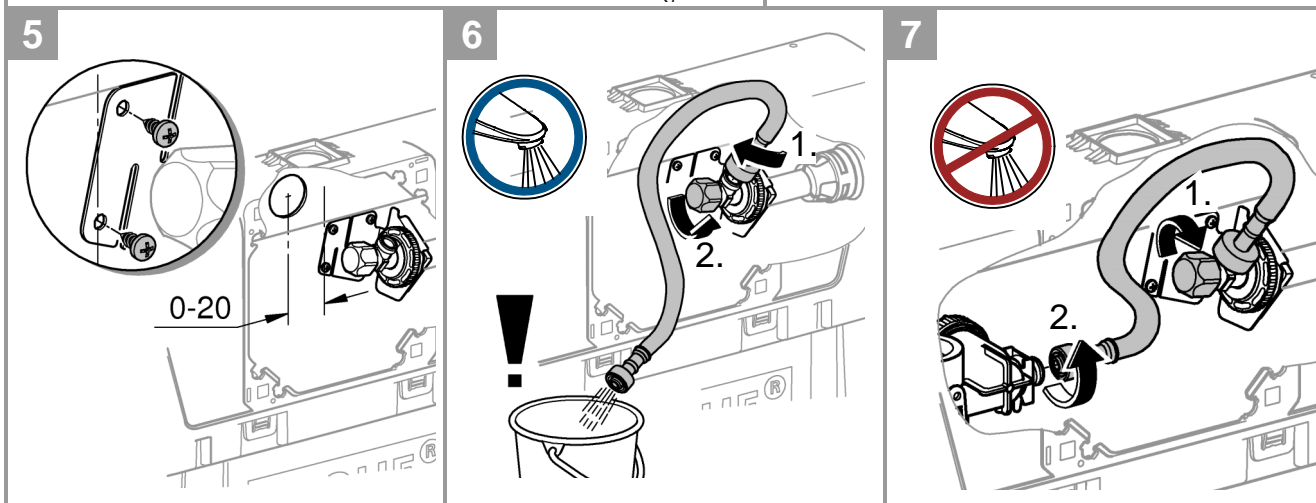
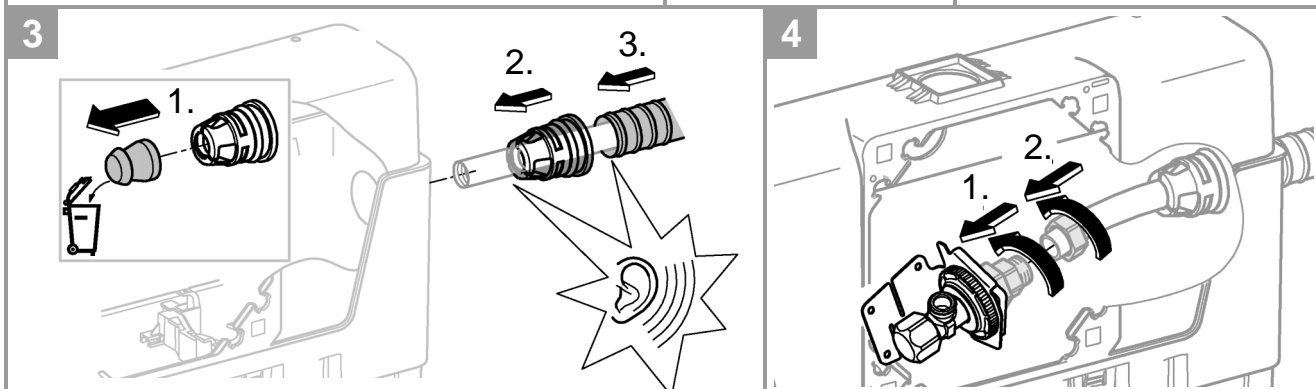
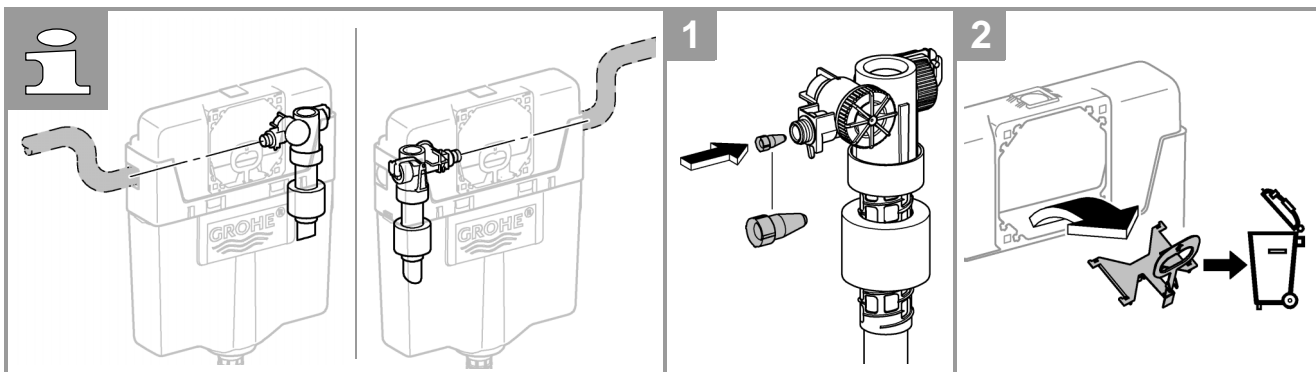


8



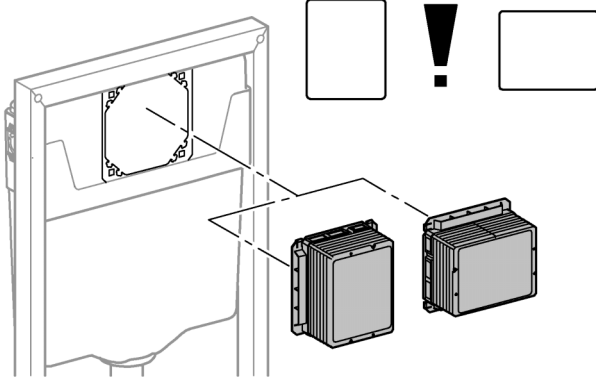
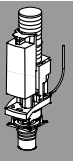




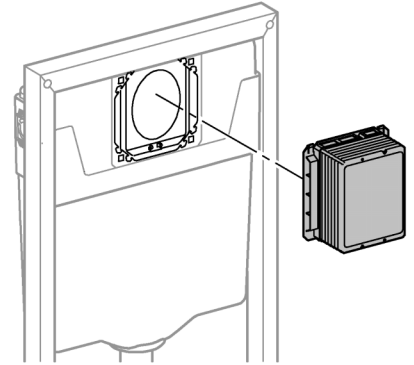
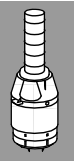




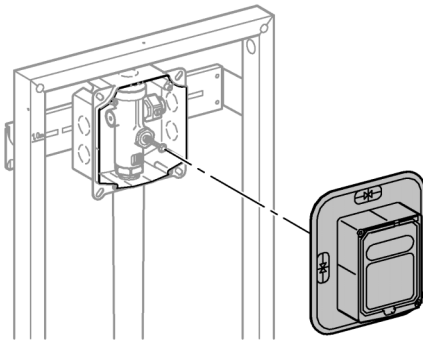
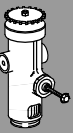
2a



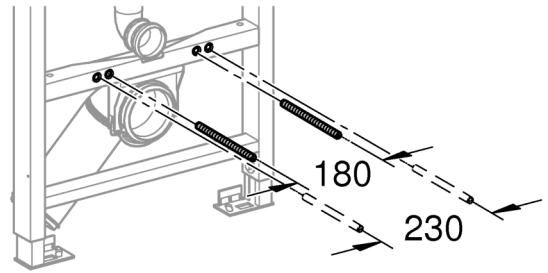
2b



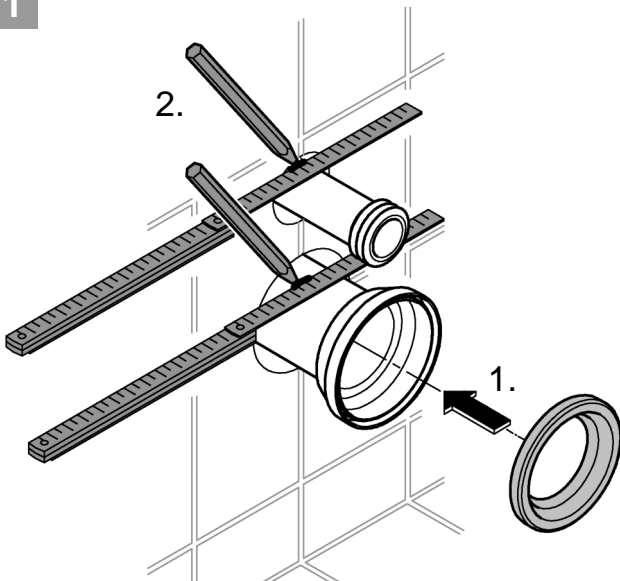
2c



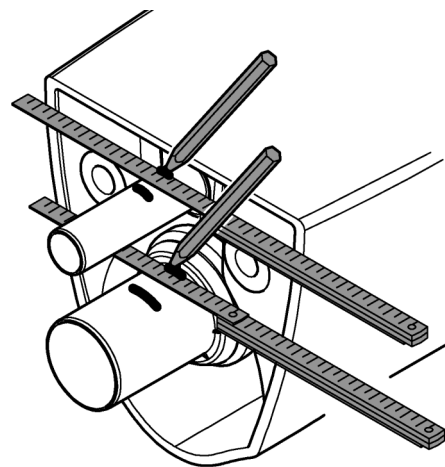
3



1

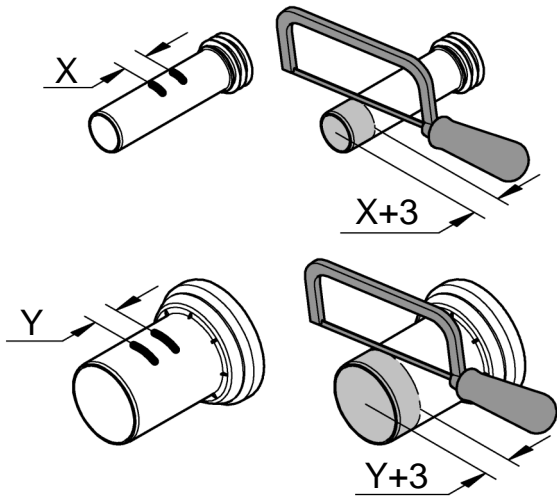


2

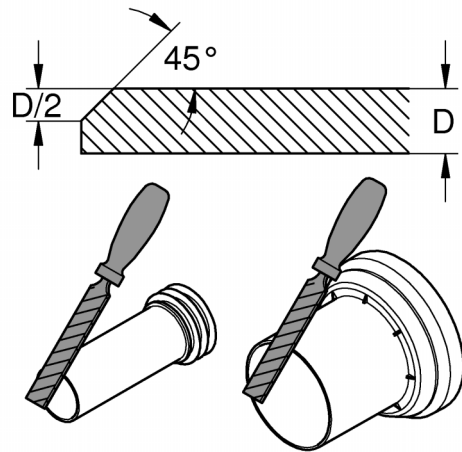




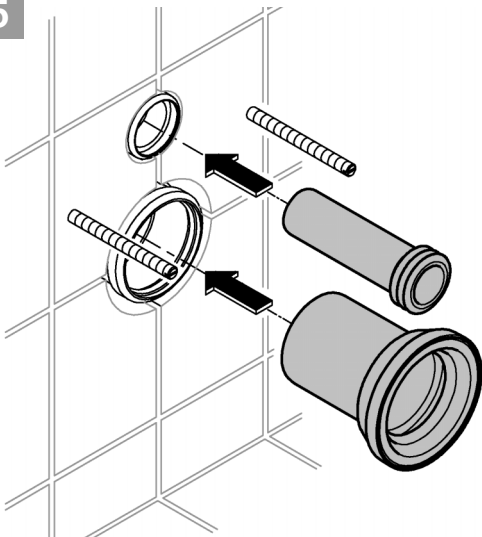
3



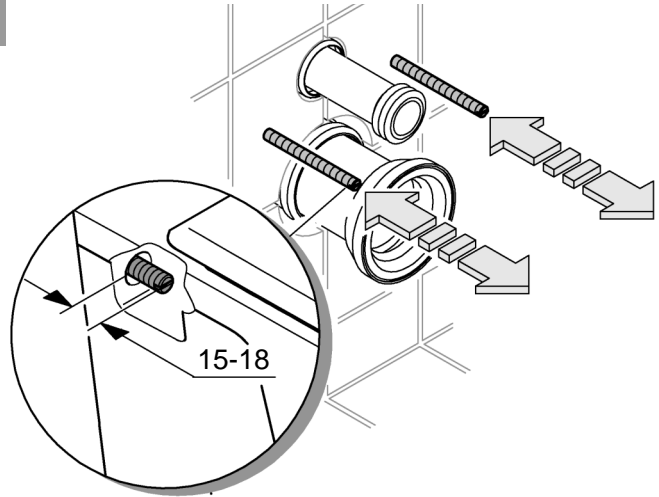
4



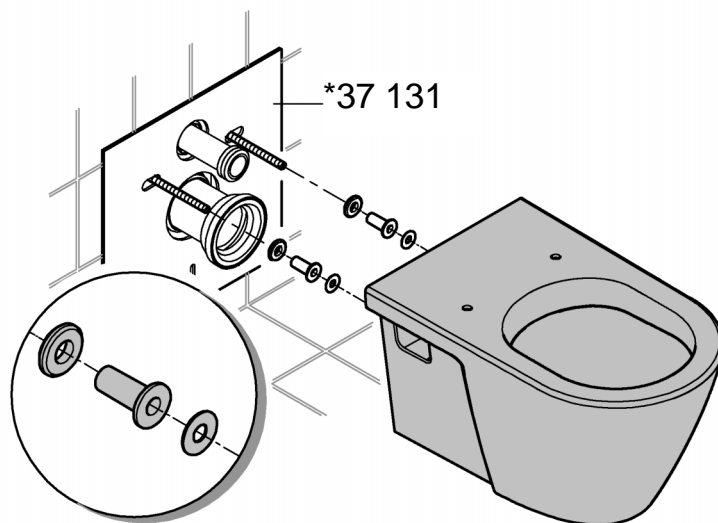
5



6

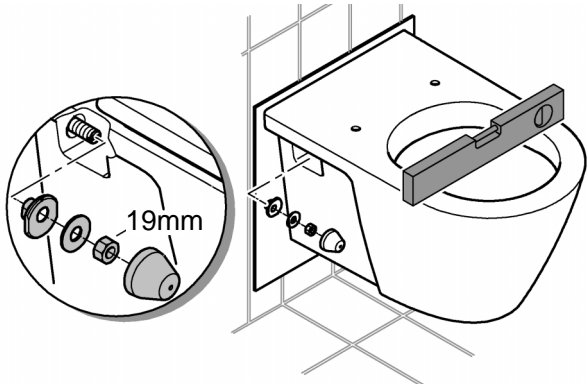


7

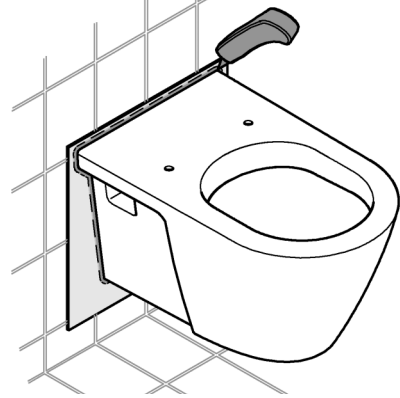




8



9



10

