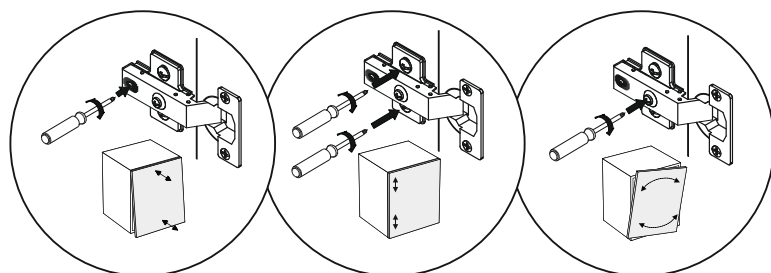
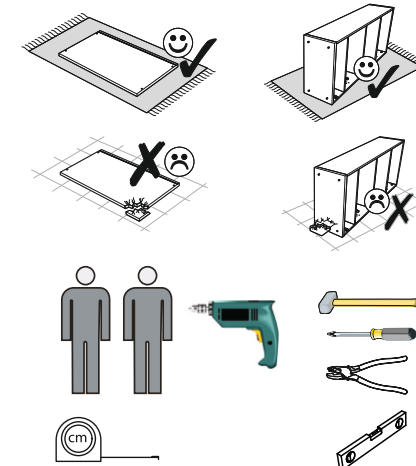
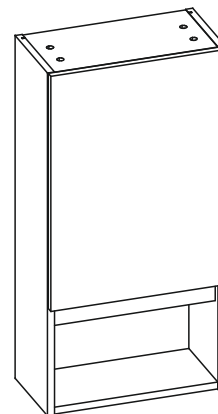


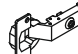





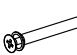




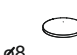
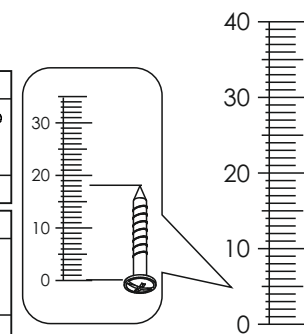


40 1D

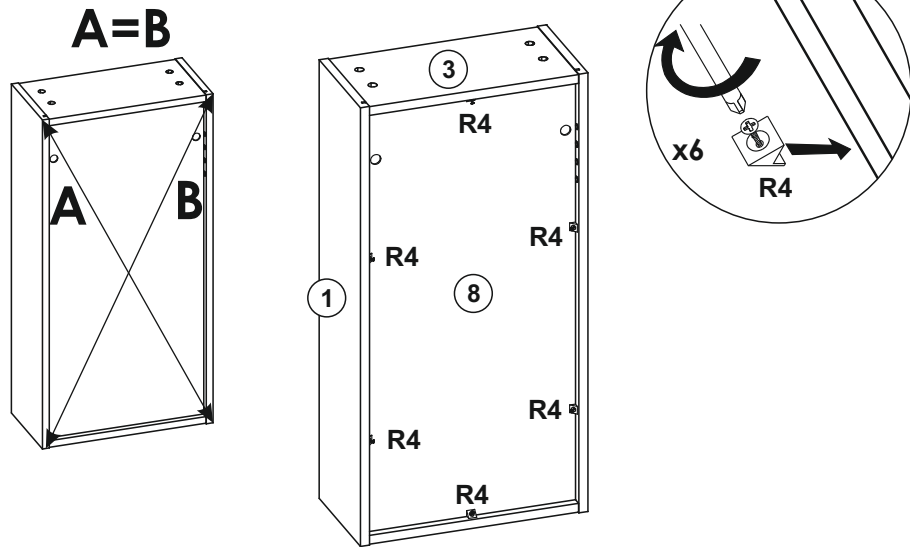


<b>A1</b>  8x30 x 16	<b>BS2</b>  H=2 x 2	<b>BSZ0</b>  KR=0 x 2	<b>D3</b>  x 4	<b>G72</b>  x 1	<b>P0</b>  ø 5 x 12	<b>E1</b>  x 10	<b>F1</b>  x 10	<b>G71</b>  x 1	<b>P2</b>  ø 18 x 2	<b>R4</b>  x 6	<b>ZR4</b>  L+P x 1	<b>P11</b>  x 2	<b>R8</b>  ø 8 x 2
--	---	---	---	--	---	--	--	--	---	---	---	--	--

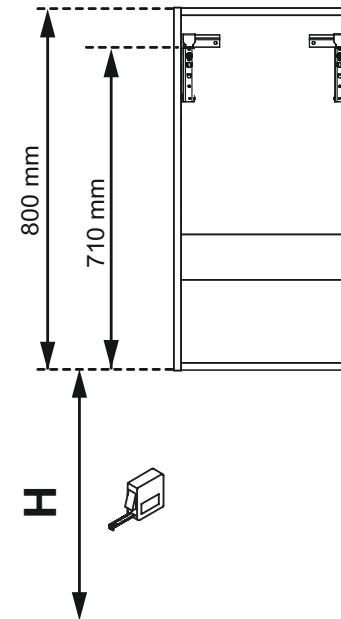




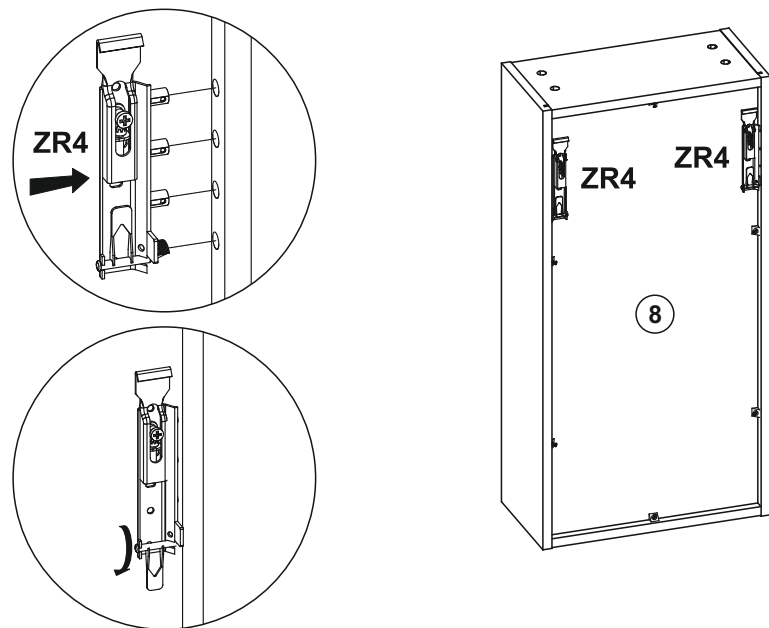
6



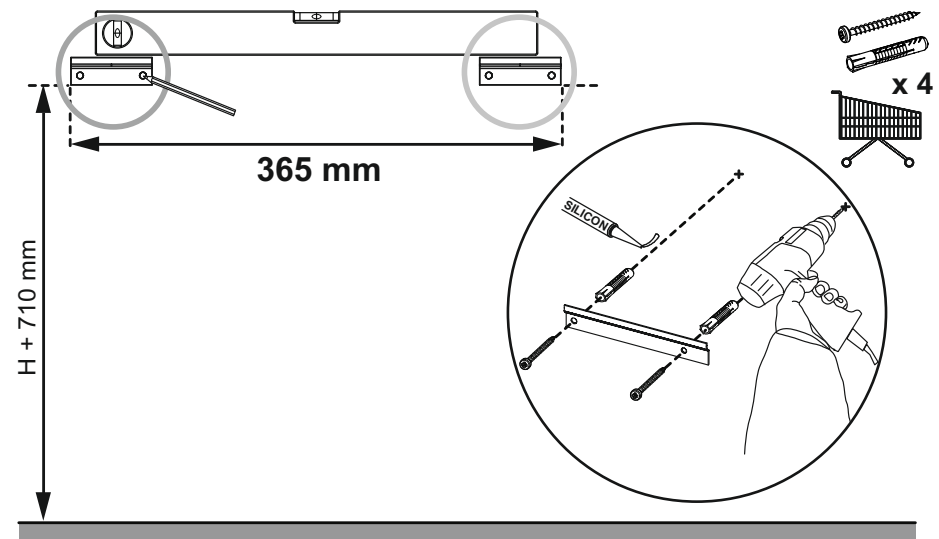
8



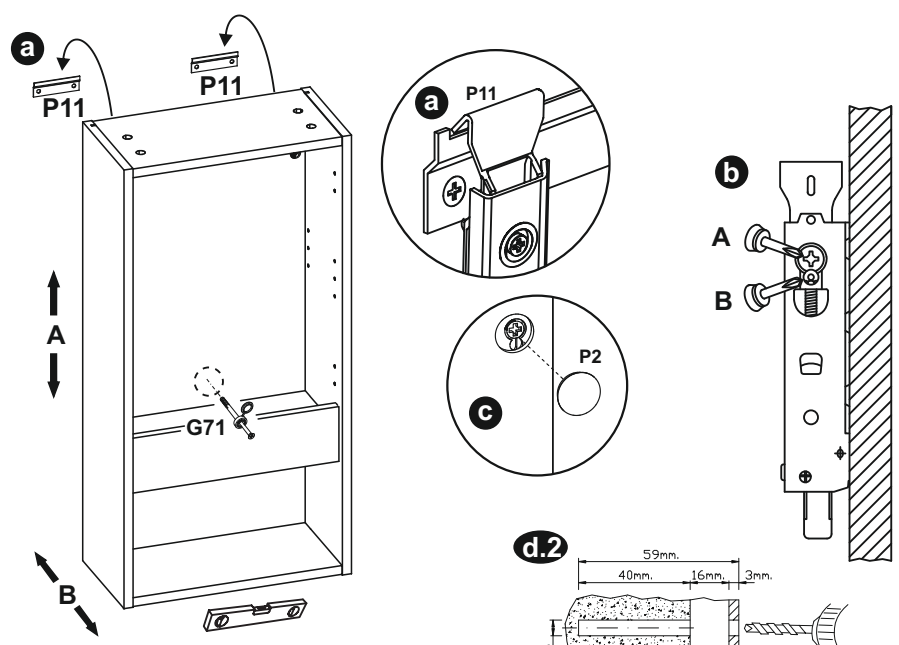
7



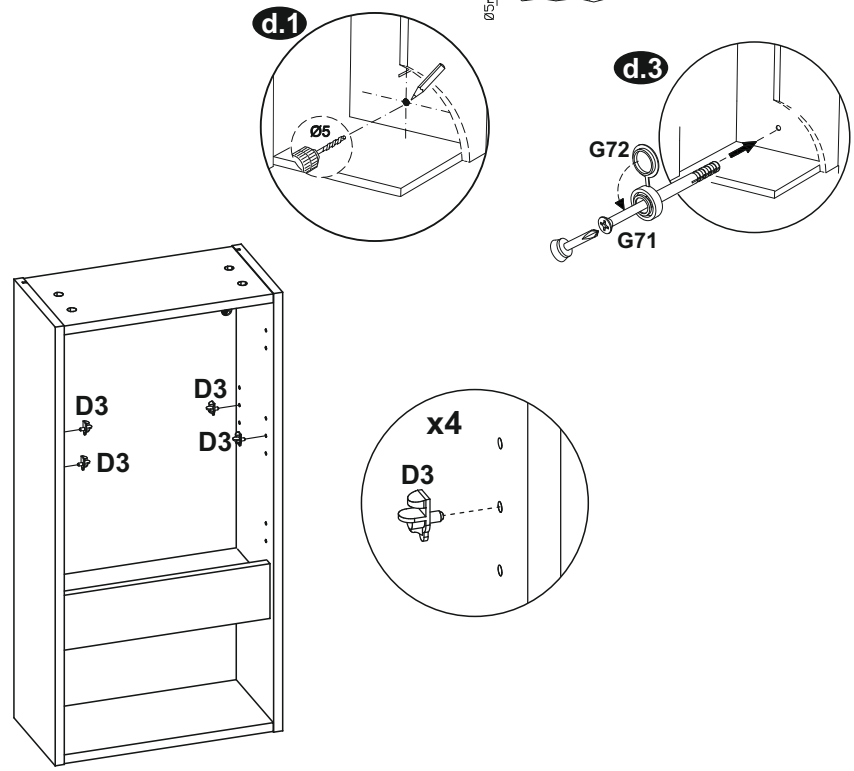
9



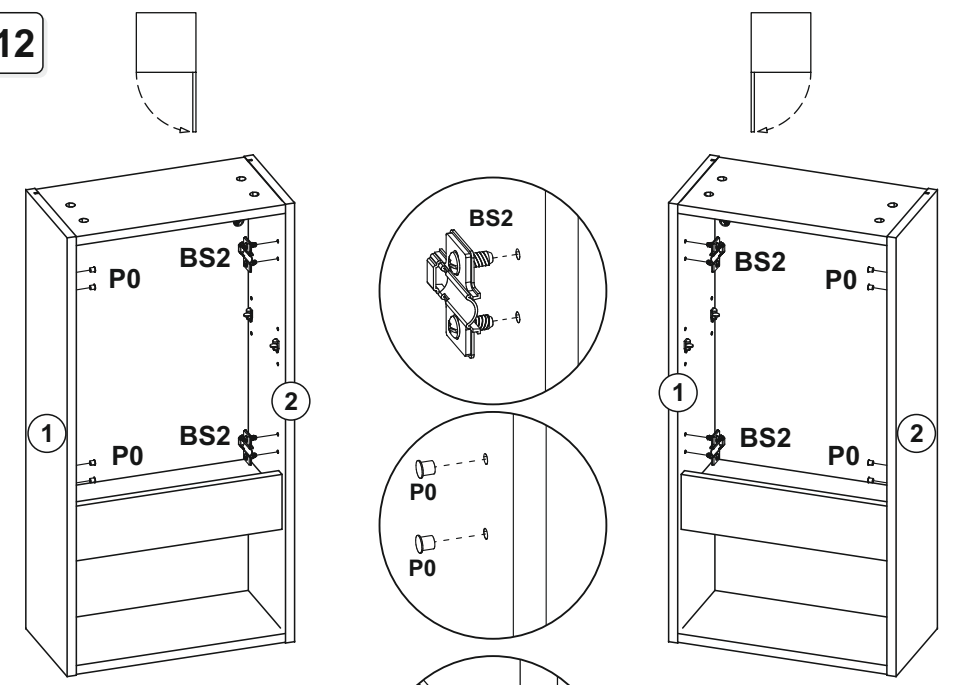
10



11



12



13

