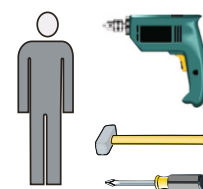
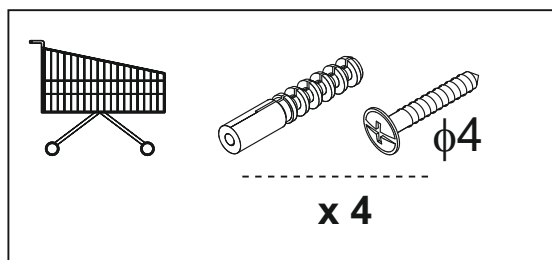
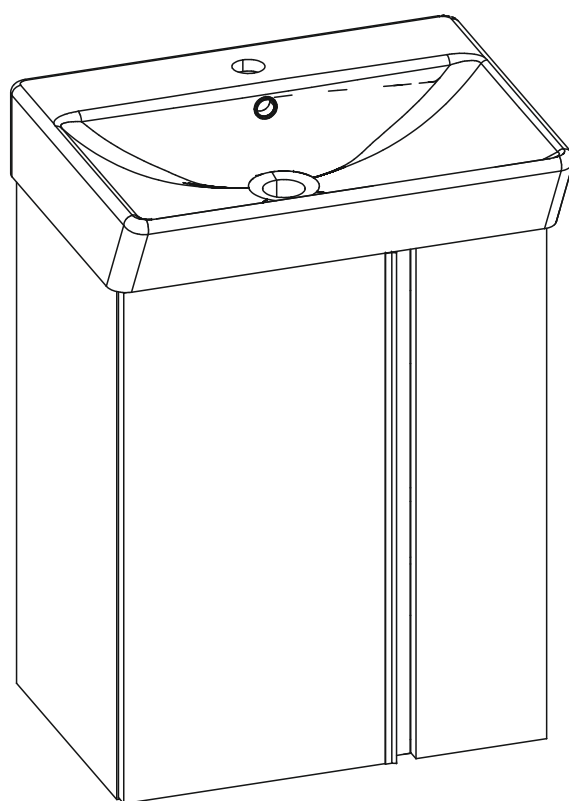


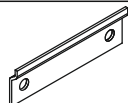
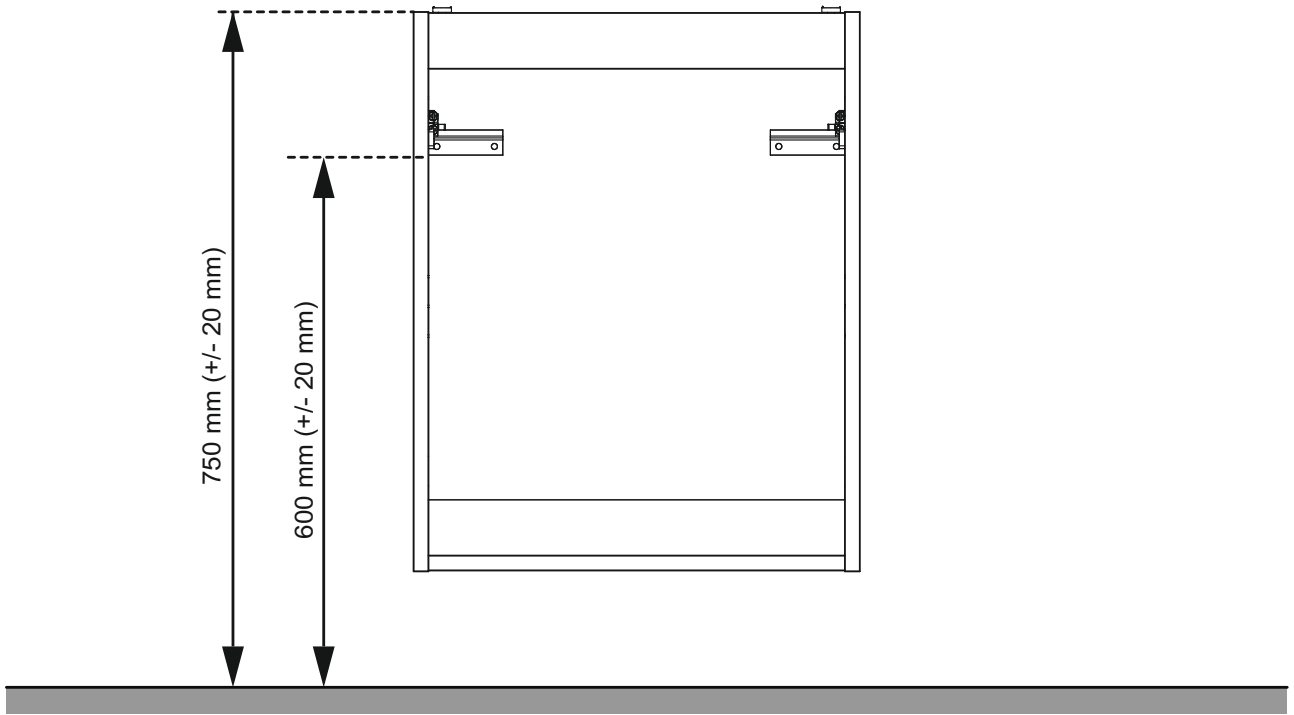


45 2D  
50 2D  
60 2D

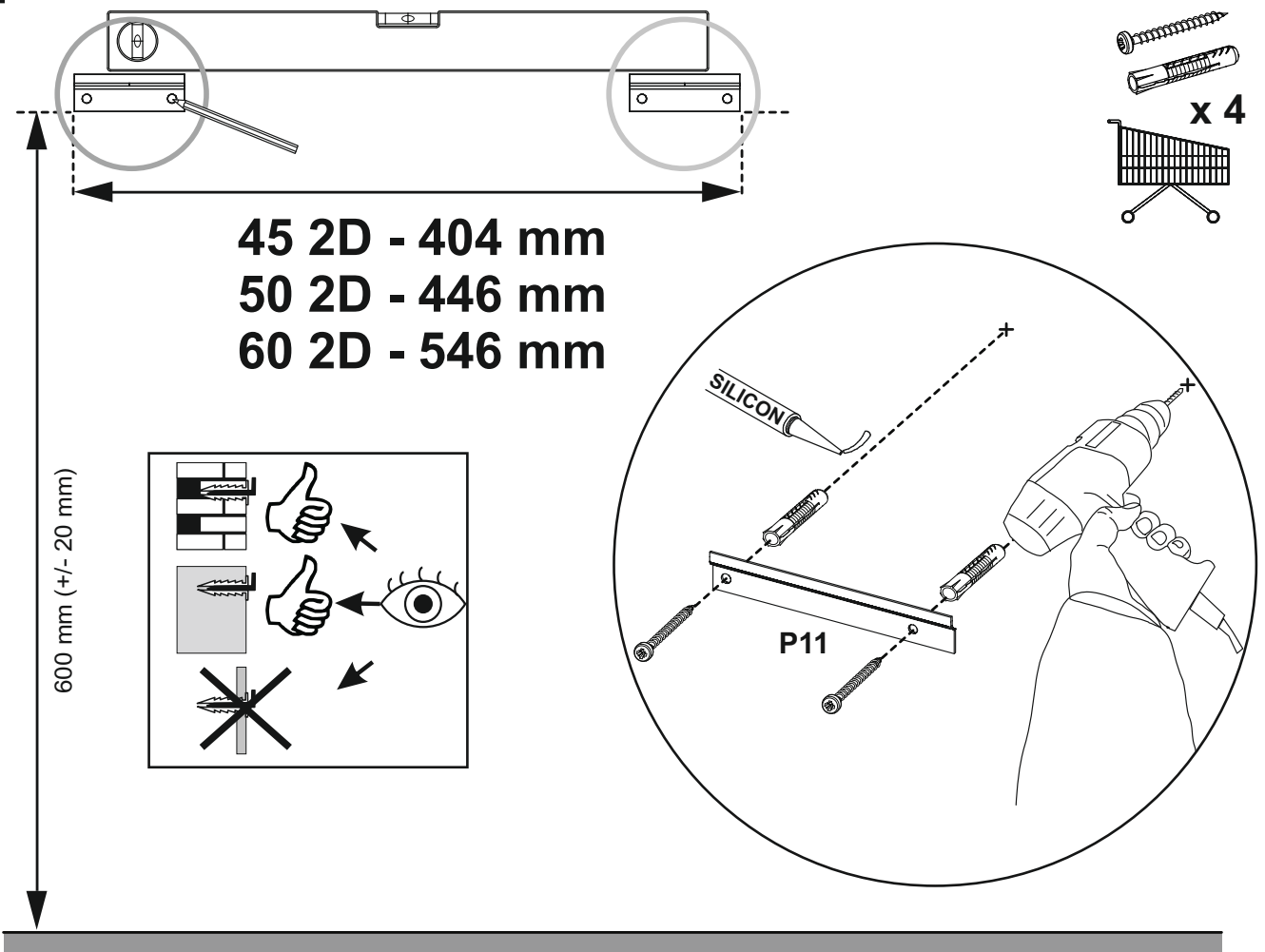


P0	D1	P11
 ø5		
x 8	x 4	x 2

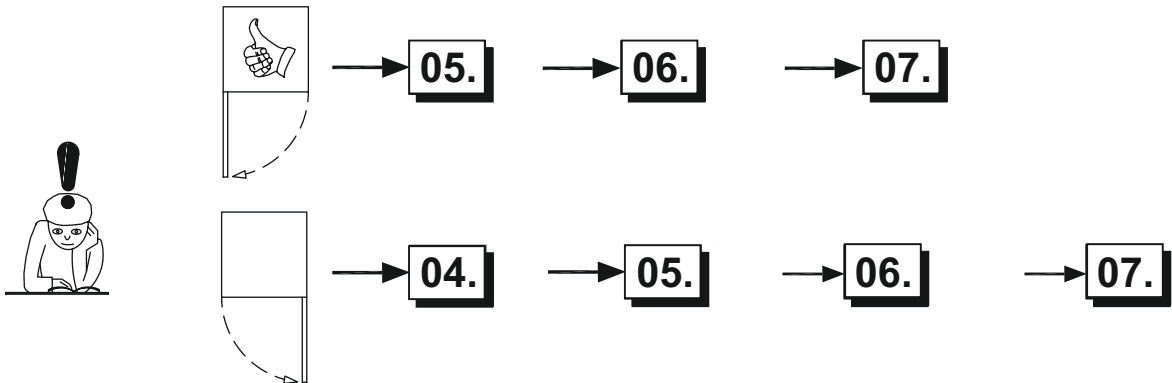
01.



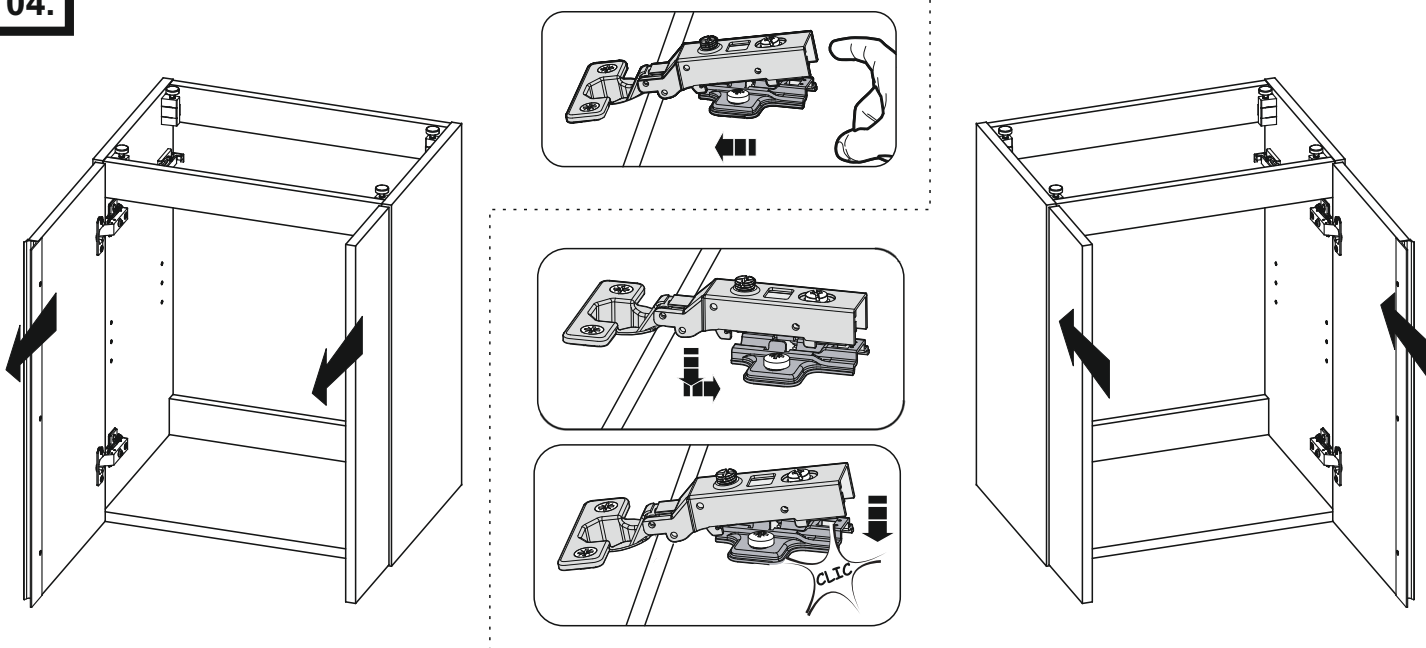
02.



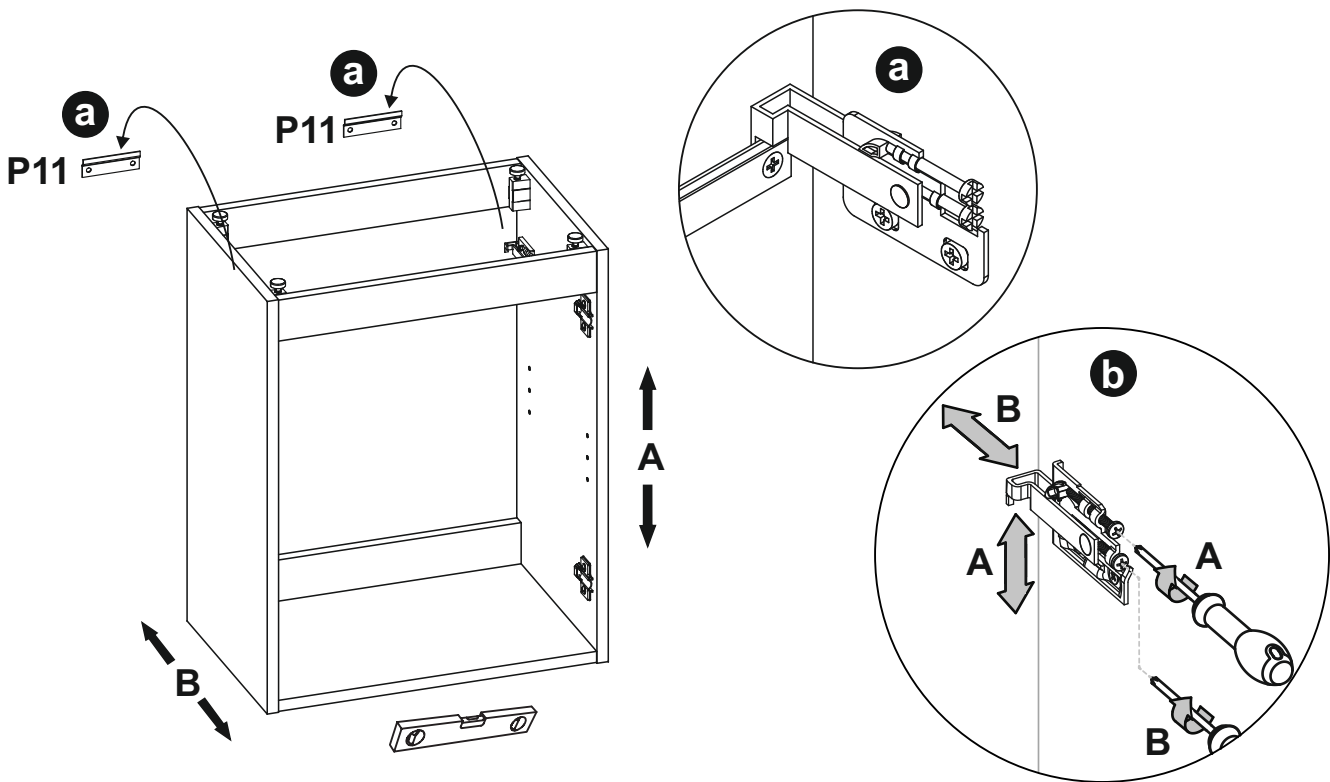
03.



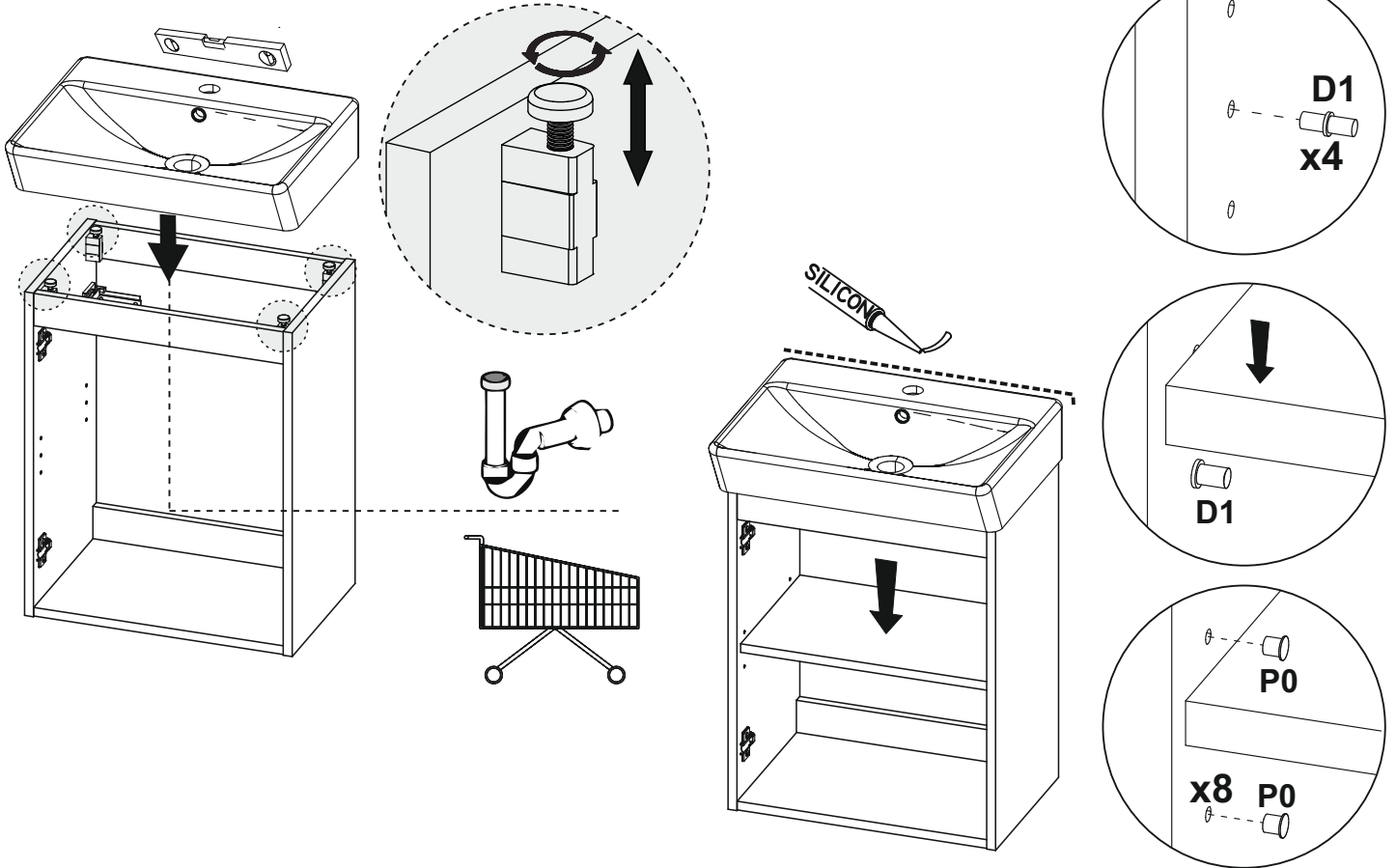
04.



05.



06.



07.

