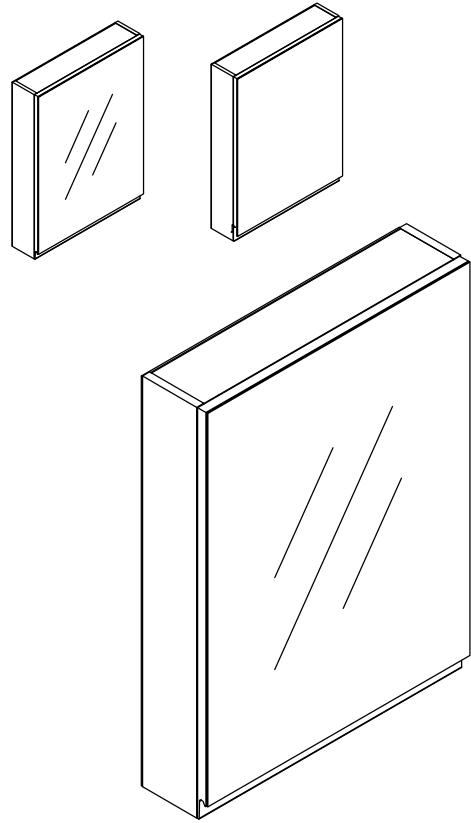
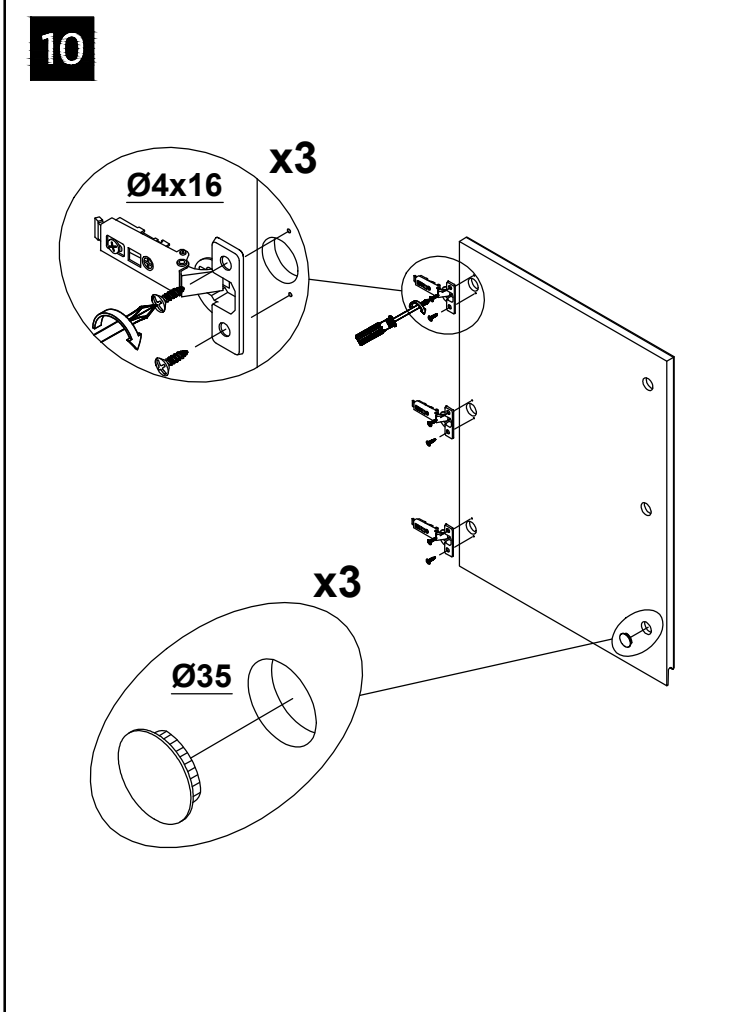
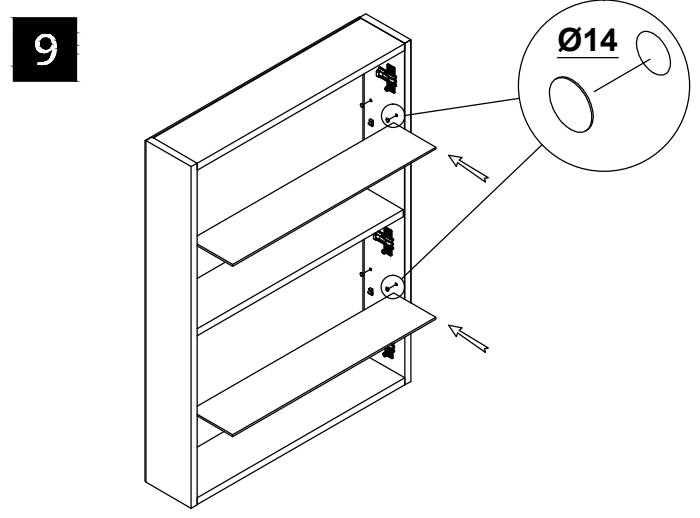
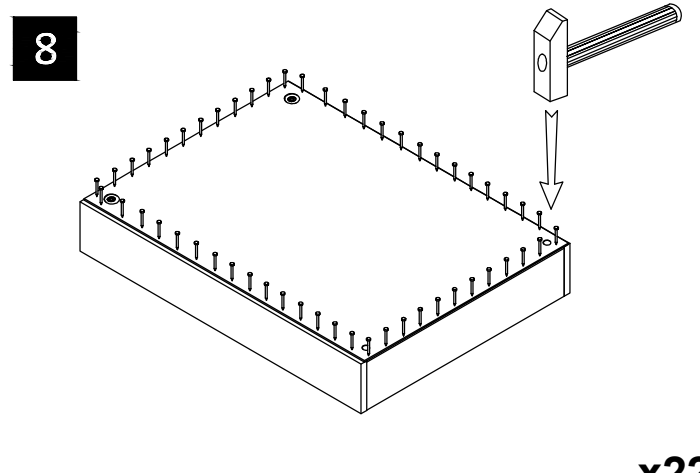
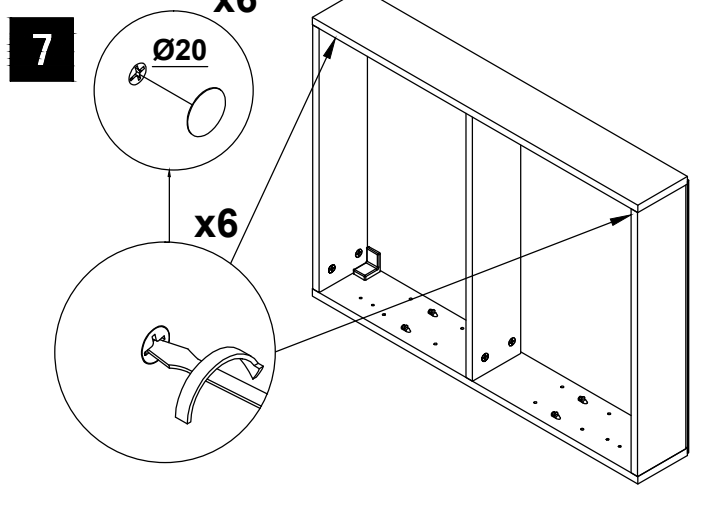
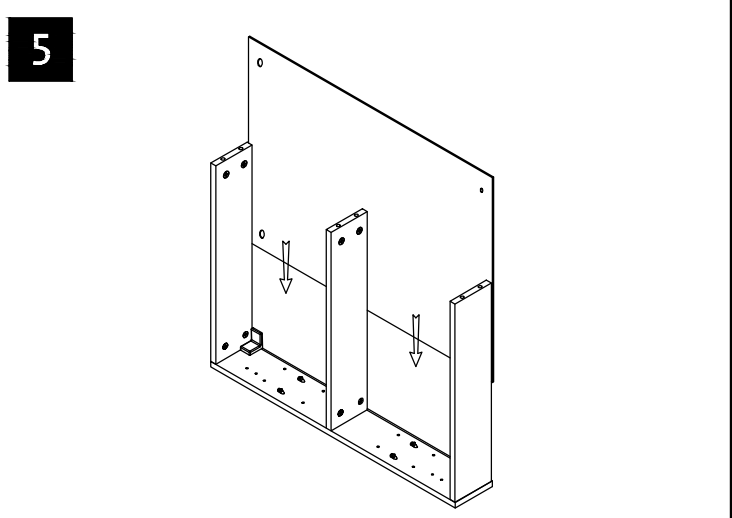
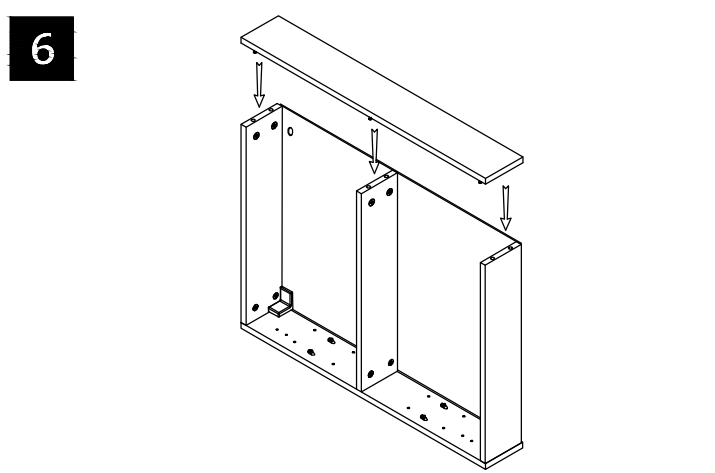
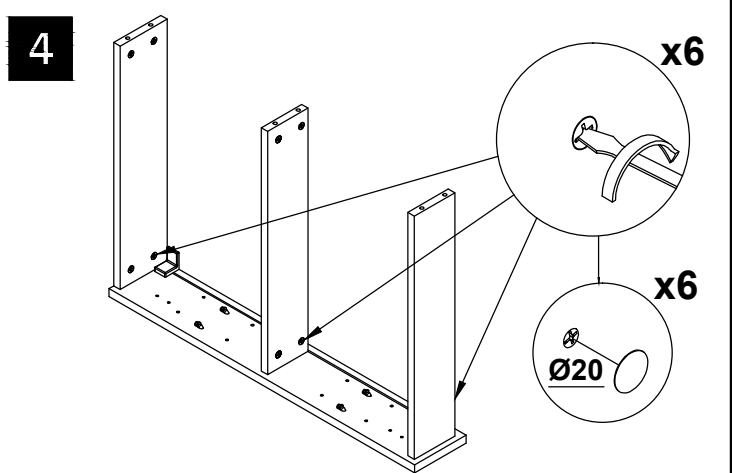
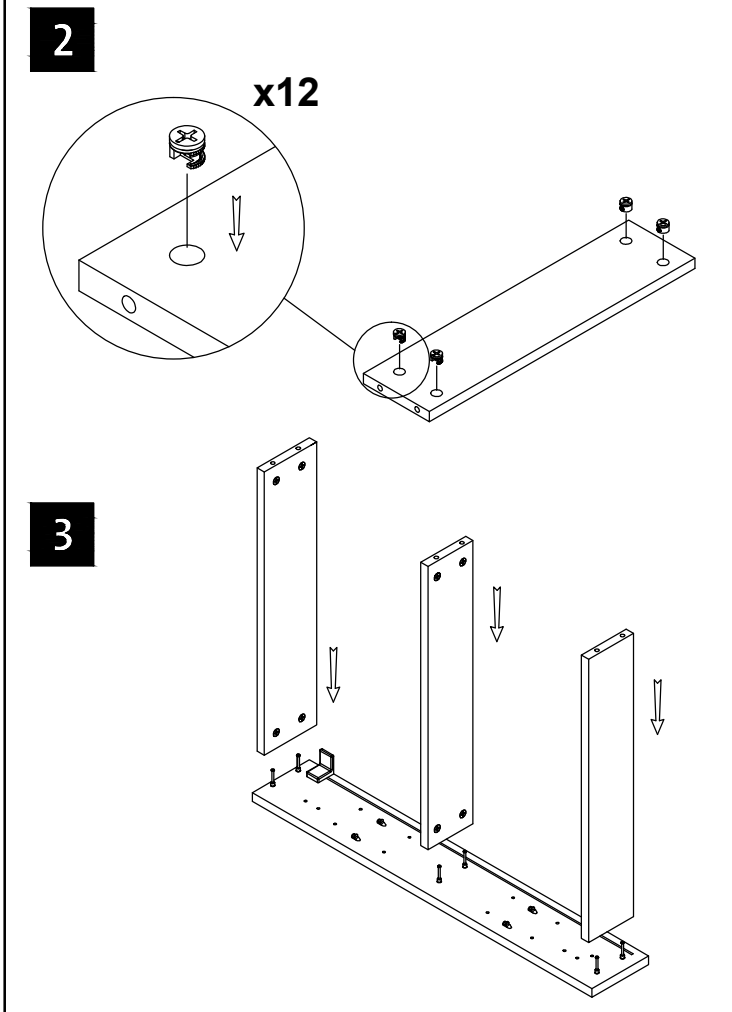
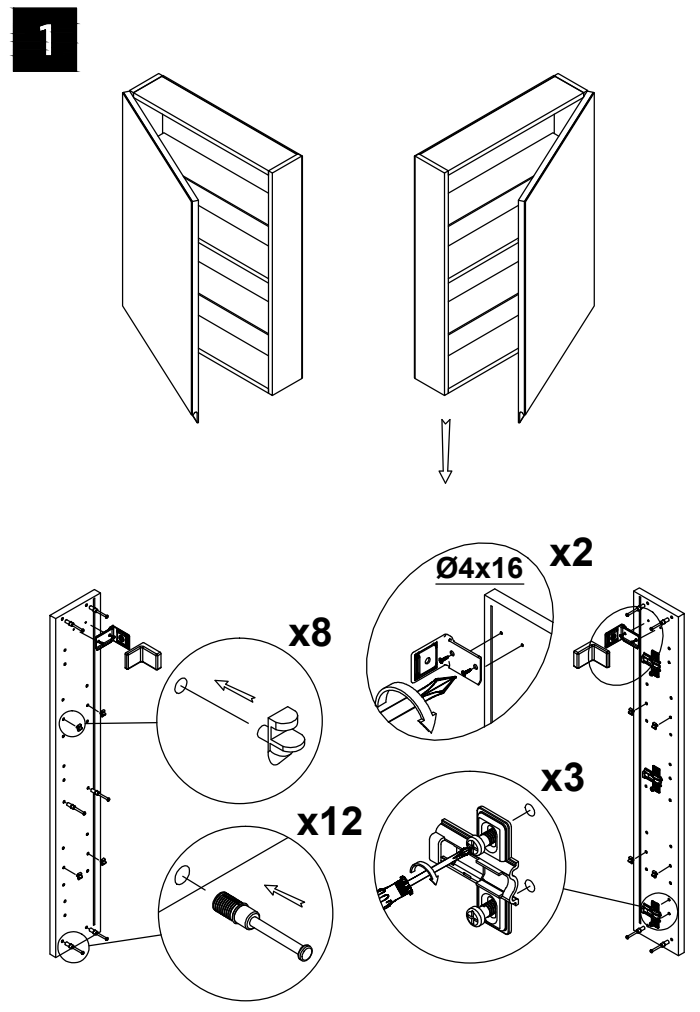
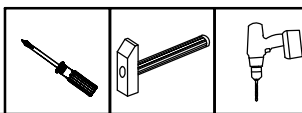
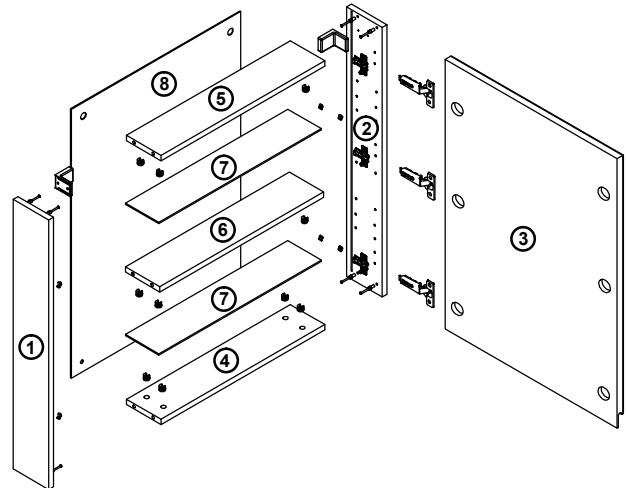


cersanit

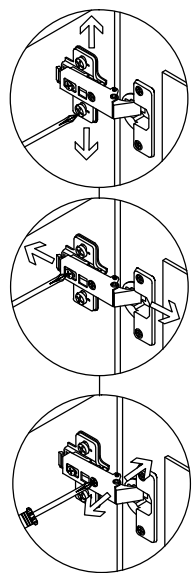
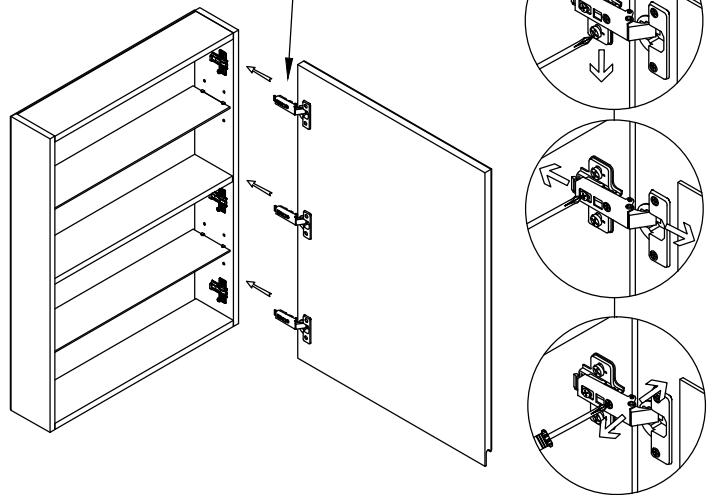
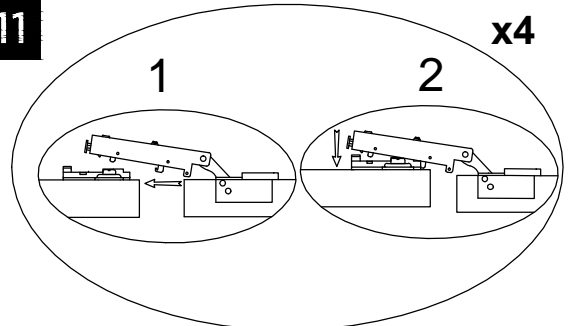


$\varnothing 4 \times 16$ x10	 x2	 x12	$\varnothing 15$ x12	 x2	 x8
--------------------------------------	--------	---------	-----------------------------	--------	--------

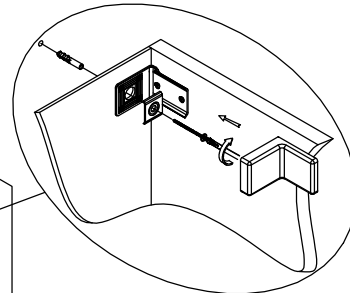
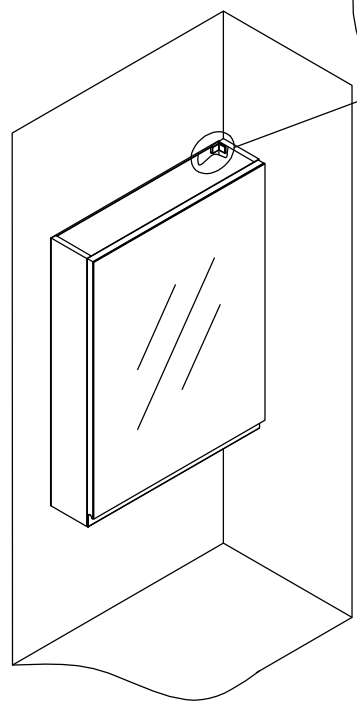
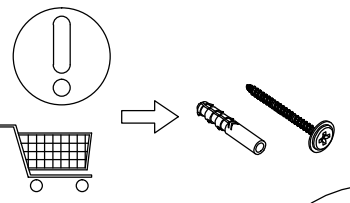
$\varnothing 14$ x22	$\varnothing 20$ x12	$\varnothing 35$ x3	 x20	 x3	 x3
-----------------------------	-----------------------------	----------------------------	---------	--------	--------



11



13



14

