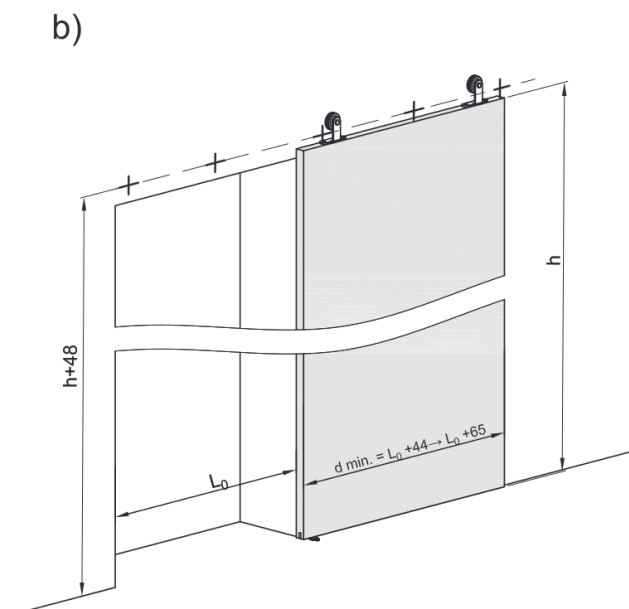
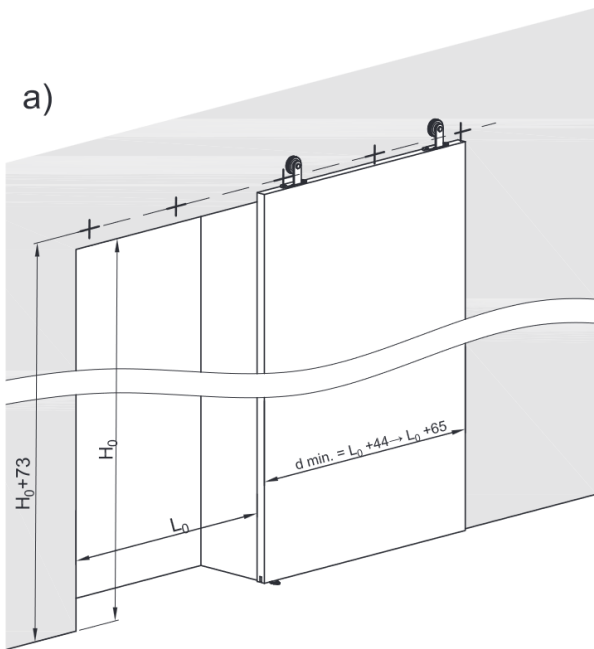
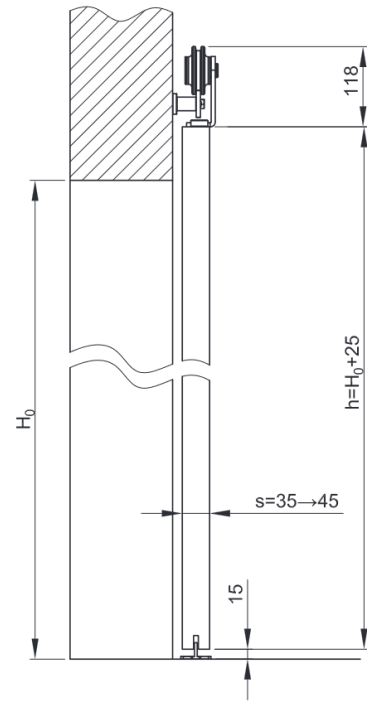
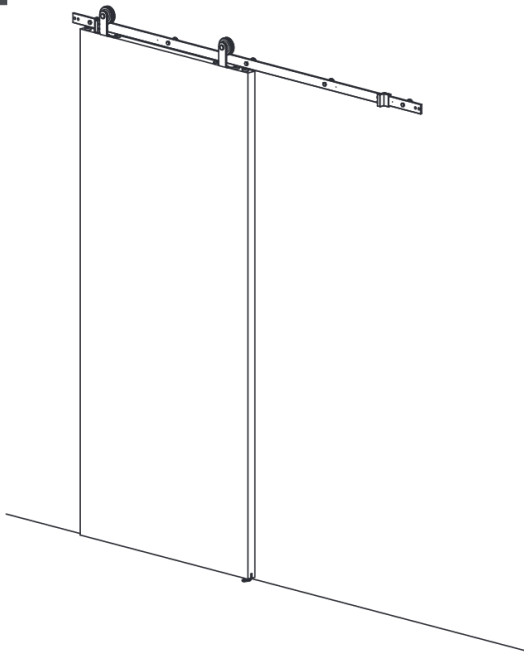
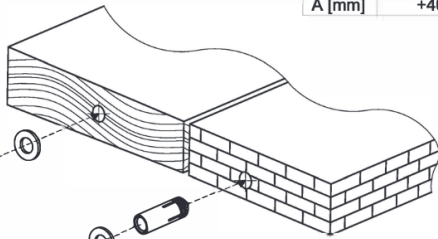


1





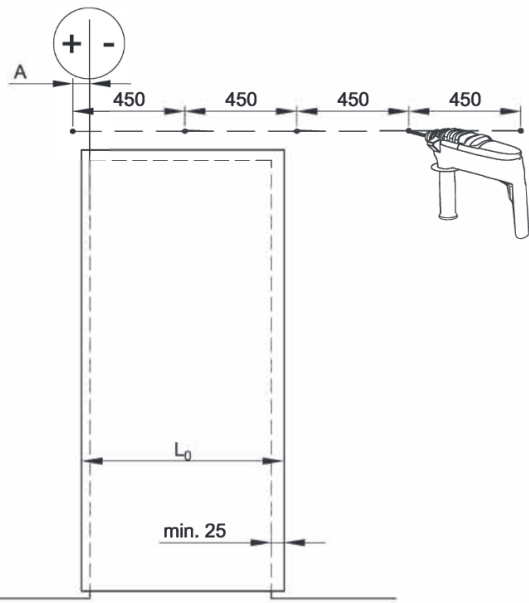
St 8x90 (x5)



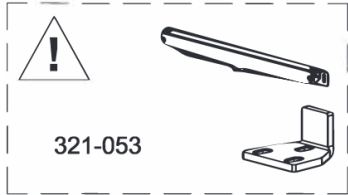
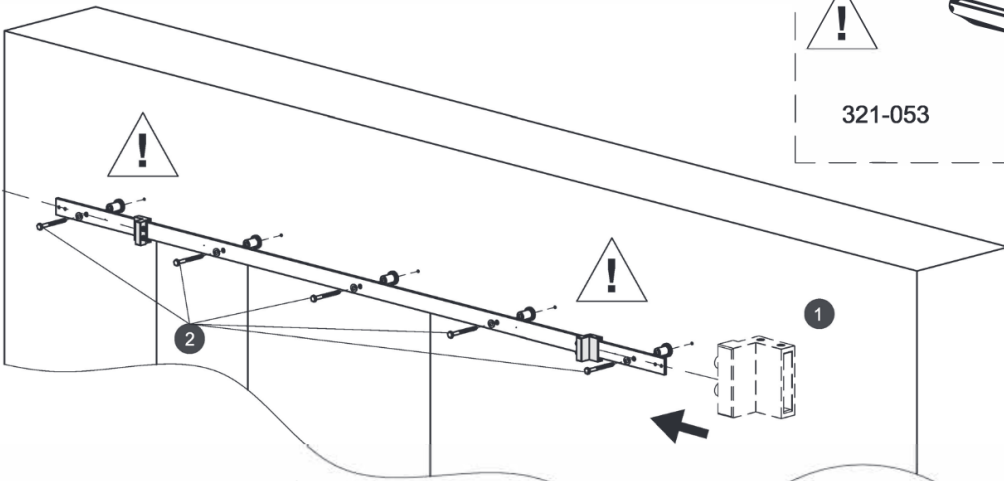
Ø10x30 (x5)
M8x60 (x5)



L_0 [mm]	$800 \leq L_0 < 900$	≥ 900
A [mm]	+40	-25



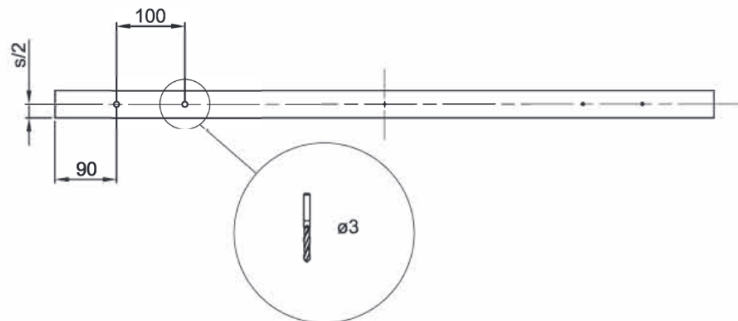
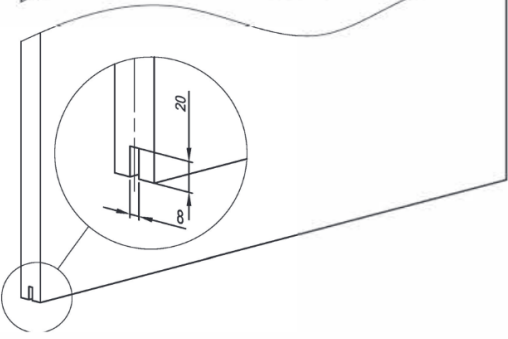
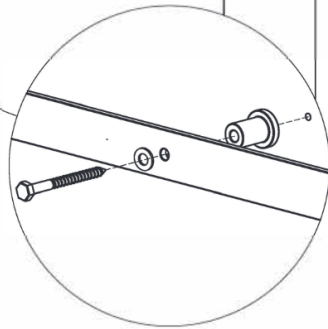
2



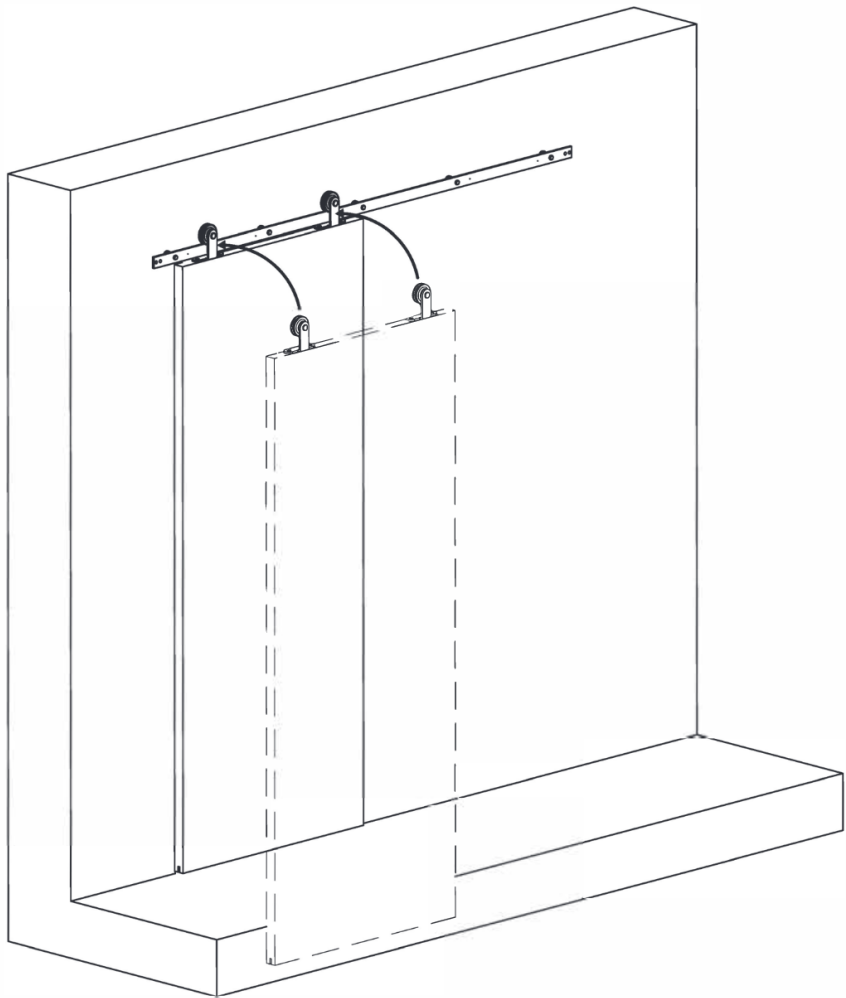
3



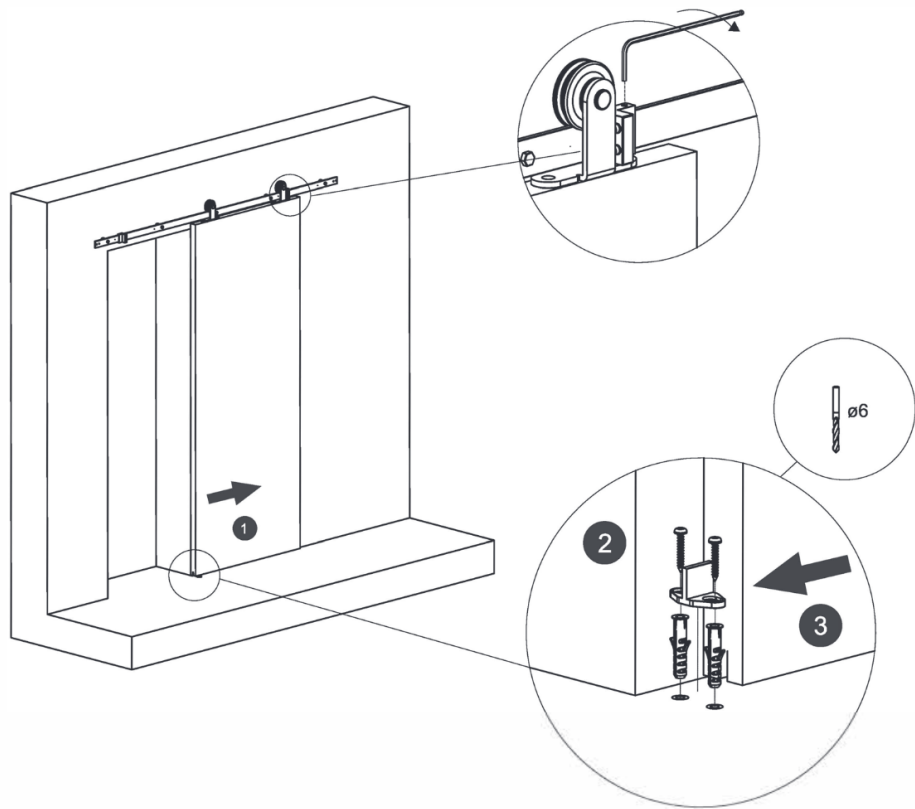
4x St 6,3 x 40



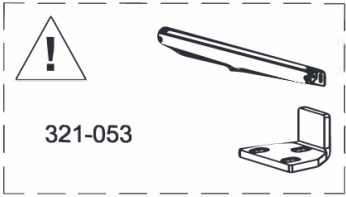
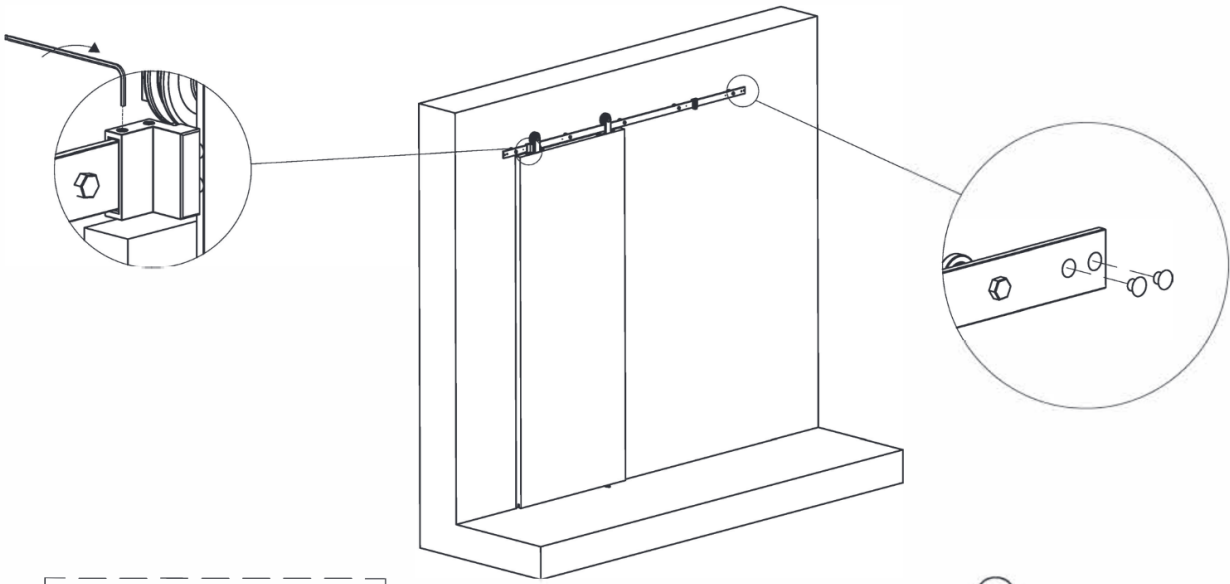
4



5



6



7

